

c.LOGiC-Interface

C2-MFD2

**Compatible with navigation systems
Volkswagen MFD2/RNS2
Skoda Nexus**

Only for vehicles WITHOUT factory rear-view camera

Product features

- full plug and play multimedia interface
- 2 AV-inputs with separate IR-control channel
- control of after-market devices, e.g. DVB-T tuner, DVD-player, DVD-changer, ...
- after-market rear-view camera input
- automatic switching to rear-view camera input (only from interface mode)
- rear-view camera power (+12V max 1A)
- Rear-seat-entertainment video-output for Video-sources connected to the c.LOGiC
- power on remote out trigger signal (+12V max 1A) to switch on connected devices
- video-in-motion

Contents

1. Prior to Installation

- 1.1. Delivery contents
- 1.2. Check compatibility of vehicle and accessories
- 1.3. Setting the dip switches of the CAN-box TV-400/500
- 1.4. Setting the dip switches of the Interface-box C2C-M200
 - 1.4.1. Automatic switching to rear-view camera
 - 1.4.2. Deactivating c.LOGiC AV2-input

2. Connection schema

3. Installation

- 3.1. Interconnecting Interface-box, CAN-box and harnesses
- 3.2. Connections to head-unit
- 3.3. Connecting peripheral devices
 - 3.3.1. AV-source(s)
 - 3.3.2. Installing AV-source's IR-sensor additionally
 - 3.3.3. After-market rear-view camera
 - 3.3.4. After-market rear-seat-entertainment

4. Operation

- 4.1. Activation of the video-in-motion function
- 4.2. Selecting the c.LOGiC as current AV-source
- 4.3. Switching between AV1 and AV2
- 4.4. Assigning device controls
- 4.5. Button assignment table
- 4.6. Picture settings

5. Specifications

6. Technical support

Appendix A – Device control table

Legal Information

By law, watching moving pictures while driving is prohibited, the driver must not be distracted. We do not accept any liability for material damage or personal injury resulting, directly or indirectly, from installation or operation of this product. This product should only be used while standing or to display fixed menus or rear-view-camera video when the vehicle is moving, for example the MP3 menu for DVD upgrades.

Changes/updates of the vehicle's software can cause malfunctions of the interface. We offer free software-updates for our interfaces for one year after purchase. To receive a free update, the interface must be sent in at own cost. Labor cost for and other expenses involved with the software-updates will not be refunded.

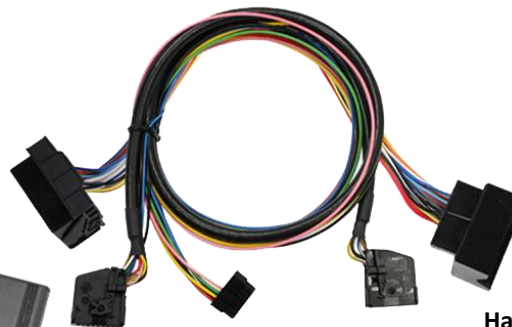
1. Prior to installation

Read the manual prior to installation. Technical knowledge is necessary for installation. The place of installation must be free of moisture and away from heat sources.

1.1. Delivery contents

Take down the SW-version and HW-version of the interface boxes, and store this manual for support purposes.

CAN-box
TV-400/500
HW _____
SW _____



Harness
C3C-VW02

Interface-box
C2C-M200
HW _____ SW _____



If remote function for the connected devices shall be used, additional an IR-remote cable and Y-adapter are needed, see chapter [AV-source\(s\)](#).

1.2. Check compatibility of vehicle and accessories

Requirements	
<i>Vehicle</i>	Volkswagen and Skoda
<i>Navigation</i>	MFD2/RNS2 or Nexus navigation
Limitations	
<i>Factory-TV-tuner</i>	Must NOT be installed.

1.3. Setting the dip switches of the CAN-box TV-400/500

TV-400

All vehicles	dip 1 ON, dip 2 OFF, dip 3 OFF
--------------	--------------------------------



TV-500

Vehicle/ navigation	Dip 1	Dip 2	Dip 3	Dip 4	Dip 5	Dip 6
All vehicles	ON	OFF	OFF	OFF	OFF	OFF

Note: Dip switch functions of the TV-500

Dip 1 – activation TV-free

Dip 2 – no function

Dip 3 – no function

Dip 4 – no function

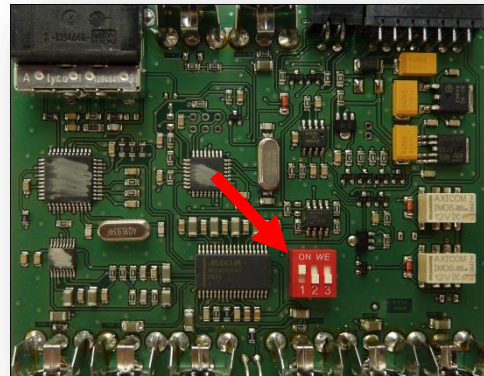
Dip 5 – CAN-bus termination resistor on the vehicle side

Dip 6 – CAN-bus termination resistor on the head-unit side

1.4. Setting the dip switches of the Interface-box C2C-M200

The default dip switch settings of the Interface-box need to be changed ONLY if an after-market rear-view camera shall be connected or if the AV2 of the c.LOGiC shall be deactivated. The dip switches are located **inside** the Interface-box. For changes it is necessary to open the box. Default settings are:

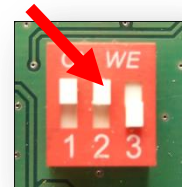
Dip1 = ON, dip2 = OFF, dip3 = OFF



Note: Instead of dip switches, there might be jumper 1 to 3.

1.4.1. Automatic switching to rear-view camera

If an after-market rear-view camera shall be connected, in order for the c.LOGiC to automatically switch to its camera input on engaged reverse gear, set dip2 = ON (up).



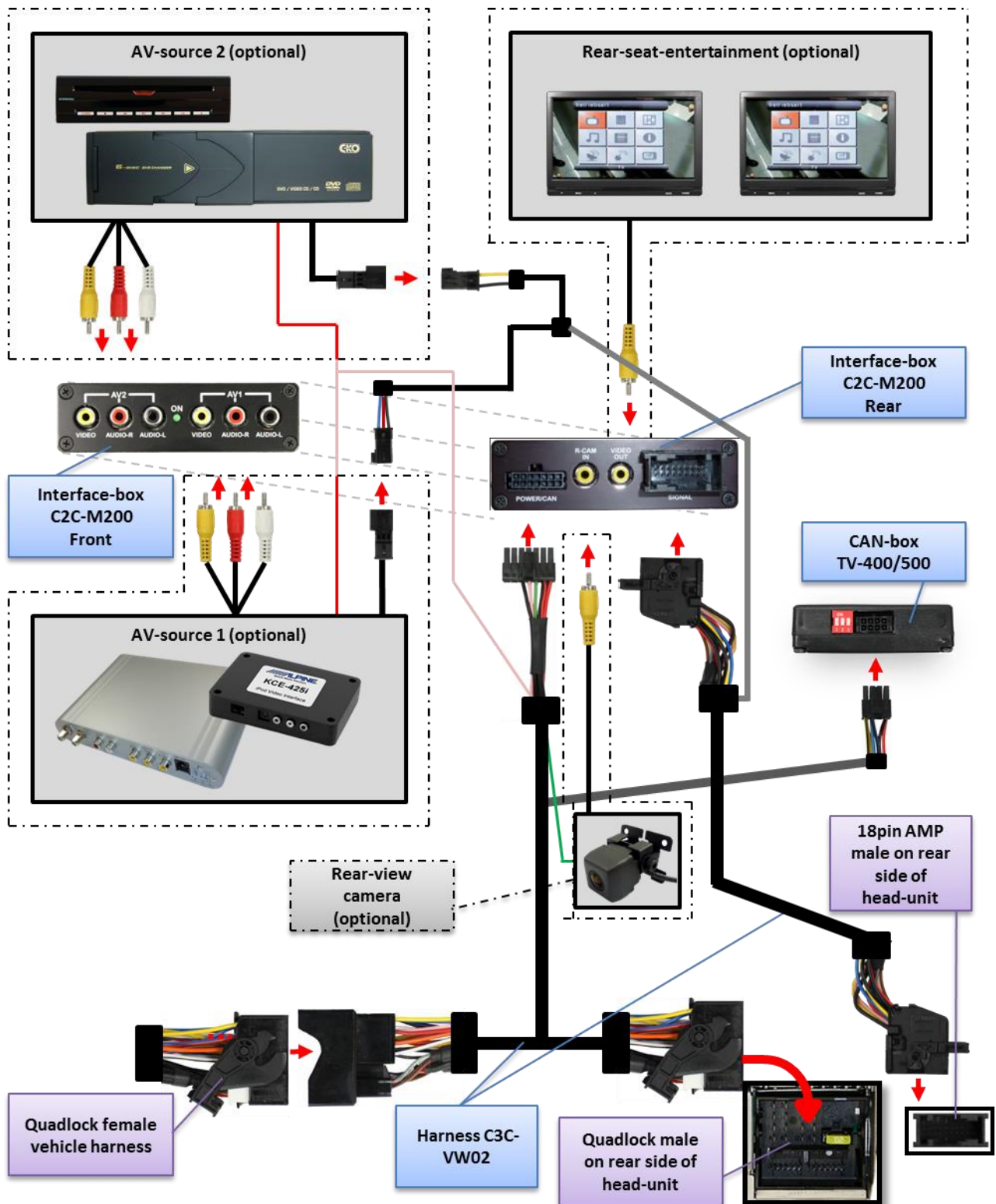
dip switches
Interface-box

1.4.2. Deactivating c.LOGiC AV2-input

If only one AV-source shall be connected to the c.LOGiC, we recommend to disable the AV2-input, to avoid customers switching by mistake to black/no picture of the AV2-input. In order to disable the AV2-input of the c.LOGiC, set dip1 = OFF (down).



2. Connection schema

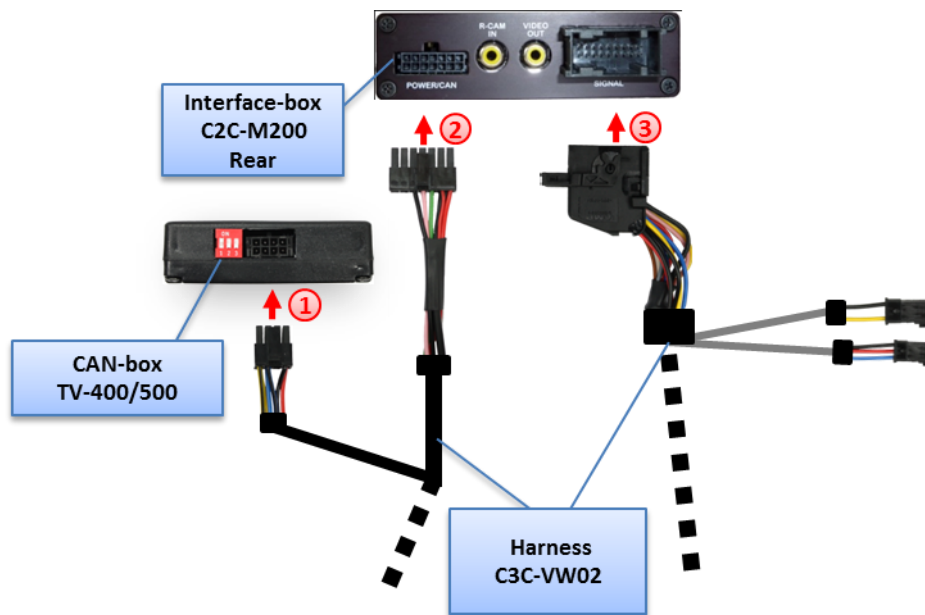


3. Installation

Switch off ignition and disconnect the vehicle's battery! If according to factory rules disconnecting the battery has to be avoided, it is usually sufficient to put the vehicle in sleep-mode. In case the sleep-mode does not show success, disconnect the battery with a resistor lead.

Place of installation is behind the head-unit.

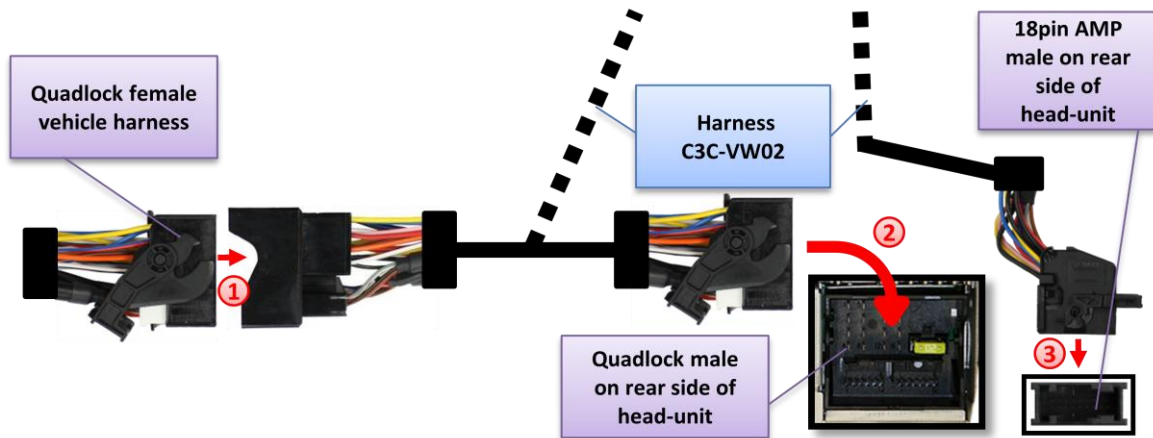
3.1. Interconnecting Interface-box, CAN-box and harnesses



- ① Plug harness C3C-VW02 into 8pin Molex of CAN-box TV-400/500.
- ② Plug harness C3C-VW02 into 14pin Molex of Interface-box C2C-M200.
- ③ Plug female 18pin AMP-connector of C3C-VW02 into male 18pin AMP-socket of Interface-box C2C-M200.

3.2. Connections to head-unit

Remove the head-unit from the dash-board.



- ① Transfer female Quadlock connector from the back of the head-unit to male Quadlock connector of harness C3C-VW02.
- ② Plug female Quadlock connector of C3C-VW02 into male Quadlock socket of head-unit.
- ③ Plug female 18pin AMP-connector of C3C-VW02 into male 18pin AMP-socket of head-unit.

Note: If the 18pin AMP-socket of the head-unit is already occupied, the vehicle probably has a factory rear-view camera or a factory TV-tuner. In case of a factory tuner, it must be uninstalled: disconnect the female 18pin AMP-connector of the factory harness and disconnect all wires from the factory TV-tuner. In case of a factory rear-view camera you have ordered/received the wrong product, call for support.

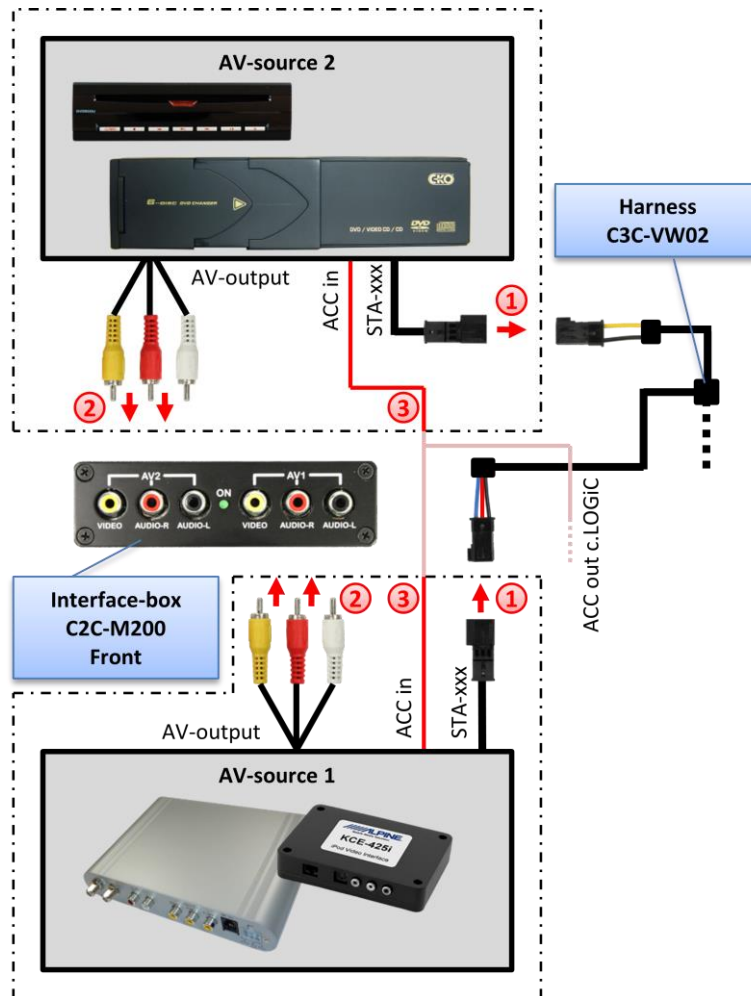
3.3. Connecting peripheral devices

It is possible to connect up to 2 after-market AV-sources, after-market rear-view camera and rear-seat-entertainment to the c.LOGiC interface.

Before final installation of the peripheral devices, we recommend to test-run the c.LOGiC functions to detect incompatibility of vehicle, navigation, factory accessories or peripheral devices as soon as possible.

3.3.1. AV-source(s)

The c.LOGiC interface has the possibility to connect and remotely control by navigation buttons up to 2 pre-programmed devices. The device list in the device control table (Appendix A) shows the pre-programmed remote channels and the related IR-remote cables STA-xxx which must be ordered separately for the control of the device.

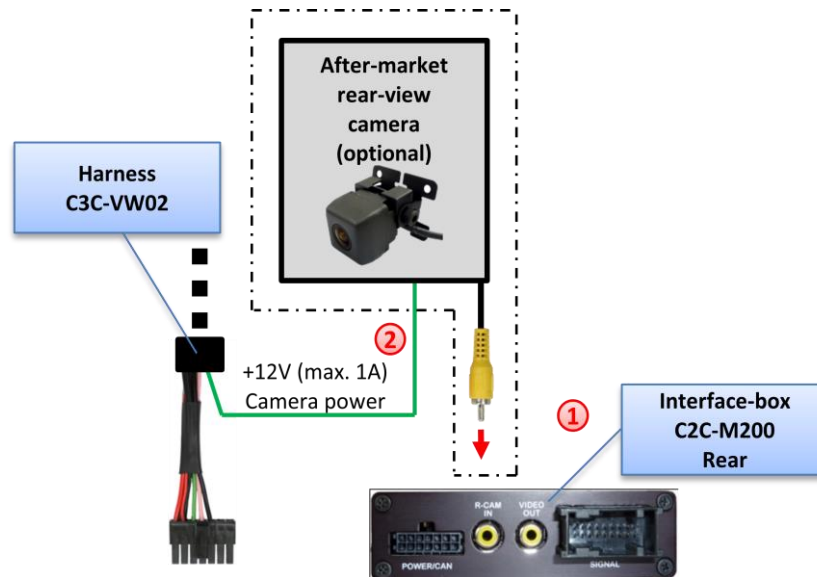


- ① Using the respective STA-xxx IR-control cable, interconnect the blue (yellow) female 3pin AMP connector of harness C3C-VW02 and the IR-port of the AV-source 1 (AV-source 2).
- ② Using an RCA-cable, interconnect the female RCA-port AV1 (AV2) of the Interface-box C2C-M200 with the AV-output of the AV-source 1 (AV-source 2).
- ③ The pink ACC-output wire (+12V max 1A) of harness C3C-VW02 can be connected to the ACC-input wires of the connected device to switch it on. It carries +12V when the head-unit is running.

3.3.2. Installing AV-source's IR-sensor additionally

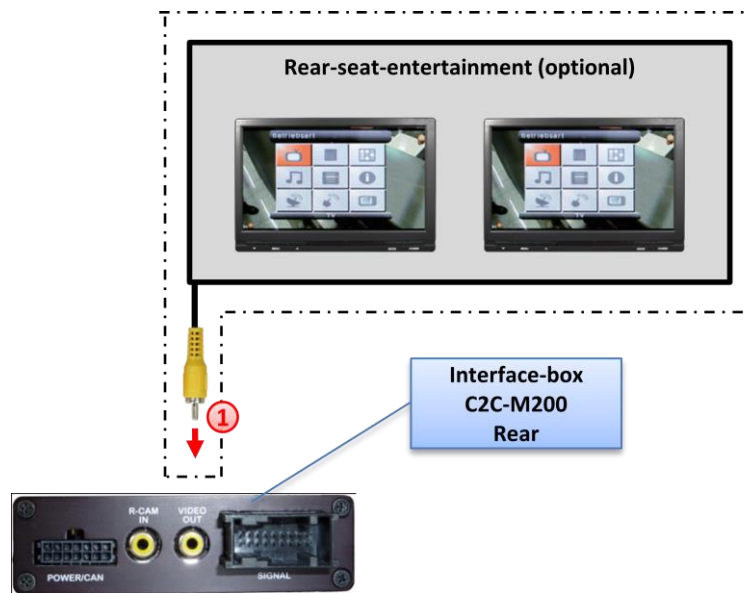
Additionally to the control via OEM navigation, it is possible to install the original IR-sensor of a connected device. By using the respective Y-adapter (e.g. STA-Y35MM or STA-RJ12) for the IR-Port of the connected device, the controls of navigation AND device's IR-sensor can be connected and used simultaneously. Installation of the IR-sensor is recommended as the controls via navigation are limited, and not all functions may be covered.

3.3.3. After-market rear-view camera



- ① Connect the video RCA of the after-market rear-view camera to female RCA connector R-CAM IN of Interface-box C2C-M200.
- ② Connect the green wire of C3C-VW02 to the camera power supply (max. 1A)
The green wire is high (+12V) when reverse gear is engaged.

3.3.4. After-market rear-seat-entertainment



- ① Using RCA-cables, connect the rear-seat-entertainment to the female RCA-connector VIDEO OUT of Interface-box C2C-M200.

Note: As the output is a full output, not shared with the video signal for the navigation system, splitting the video with an RCA Y-cable might give a good enough picture for two rear-seat-entertainment monitors. If not, or if connecting more than two monitors, use a video splitter.

4. Operation

4.1. Activation of the video-in-motion function

The video-in-motion function is activated permanently without disturbing the navigation performance.

4.2. Selecting the c.LOGiC as current AV-source

CD-Version - Push **AUX** button of head-unit , then select **TV** to choose the c.LOGiC as current AV-source.

DVD-Version - Push **CD** button of head-unit, then select **AUX** to choose the c.LOGiC as current AV-source.



4.3. Switching between AV1 and AV2

After selecting the c.LOGiC as current AV source, push the right knob for 3 seconds to switch between AV1 and AV2. Repeat to switch back.

Note: If AV2 is deactivated (see chapter chapter Deactivating c.LOGiC AV2 input), it is not possible to switch to the c.LOGiC's AV2.

4.4. Assigning device controls

After selecting the c.LOGiC as current AV source, longpress number "1" key. The MFD will display "TV 1" and "RC01". Turn right knob until the device-related IR-code for AV1 as described in device control table (appendix A) is reached. Press right knob to switch to "TV2" and repeat the procedure for AV2. Push right knob to confirm the assignment.

If the vehicle has no MFD display in the instrument panel (for example in case of retrofitted navigation systems), you must count the notches when turning the knob (to the right +1, to the left -1). At the same time, remember that the starting point is channel RC01 (the first notch to the right is then already RC02).

Note: The IR-control channel TV1 is preset to RC-Code 41 compatible DVB-T tuners and TV2 is preset to RC-Code 09 for the usbLiNK.

If the AV2 is deactivated (see chapter chapter Deactivating c.LOGiC AV2 input), it is not necessary, nor possible to assign device controls.



4.5. Button assignment table

The button assignment table shows which functions of the connected devices can be executed by head-unit buttons. Once an AV-input is activated, the head-unit button in the left column will execute the function described in the corresponding device column. The function description equals the remote control buttons of the optional c.LOGiC remote control or the additional device. On the additional device the writing may vary (e.g. AV instead of Source).



Button assignment table c.LOGiC MFD2/RNS2/Nexus

Head-unit button	DVB-T Tuner	Internet USB	DVD-player	DVD-changer	iPod®-control	Analog-tuner
1	OK	POWER	PLAY	PLAY	PLAY/PAUSE	SCAN
2	AV	MEDIA	AV	AV	EJECT	MODE
3	EPG	VOL+	PBC	PBC	SHUFFLE	FM
4	INFO	VOL-	TITLE	TITLE	REPEAT	DISPLAY
5	SCAN	ZOOM	ZOOM	DISC		SCAN
6	MENU	SETUP	SETUP	SETUP	LIGHT	ADJUST
6 long	POWER	POWER	POWER	POWER	POWER	POWER
7	DISPLAY	MEDIA	DISPLAY	DISPLAY		DISPLAY
8	AUDIO	AUDIO	AUDIO	AUDIO		AUDIO
9	→	→	→	→	→	CH +
10	←	←	←	←	←	CH -
12	↓	↓	↓	↓	↓	VOL -
13	↑	↑	↑	↑	↑	VOL +
14	OK	OK / PLAY	OK	OK	ENTER	MODE
11	EXIT	EXIT	STOP	STOP	PLAY	MUTE
15	CH -	TRACK -	TRACK -	TRACK -	TRACK -	CH -
16	CH +	TRACK +	TRACK +	TRACK +	TRACK +	CH +

Additionally to the head-unit buttons, the steering-wheel buttons UP and DOWN can be used for remote functions. DOWN-button has the same function as **15** on the head-unit and UP-button has the same function as **16** on the head-unit.

4.6. Picture settings

By pressing the button **17**, it is possible to switch between 4:3 and 16:9 picture format.
To enter the picture settings menu longpress button **11**.

The picture settings menu always starts with the brightness settings.
The respective current picture value is displayed on the instrument panel.

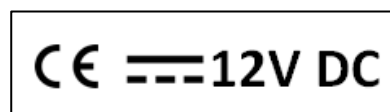
Press the right knob to change from brightness to colour and contrast (after contrast, the interface starts again with brightness).

Turn the right knob to change the current picture value. To quit the settings menu press “**ESC**”-button.



5. Specifications

Operation voltage	10.5 – 14.8V DC
Stand-by power drain	<1mA
Operation power drain	240mA
Power consumption	3W
Temperature range	-30°C to +80°C
Weight	202g
Measurements (box only) B x H x T	90 x 30 x 105 mm



6. Technical Support

Caraudio-Systems Vertriebs GmbH
Hersteller/Distribution
In den Fuchslöchern 3
D-67240 Bobenheim-Roxheim

Email support@caraudio-systems.de

Legal disclaimer: Mentioned company and trademarks, as well as product names/codes are registered trademarks ® of their corresponding legal owners.