

## **Camera interface**

### **RL-MFD2**

## **Audio-video-input compatible with navigation systems Volkswagen MFD2/RNS2 Skoda Nexus**

**AV-input to connect any AV-source to the factory navigation system**

## Contents

### 1. Prior to installation

- 1.1. Delivery contents
- 1.2. Check compatibility of vehicle and accessories

### 2. Connection schema

### 3. Installation

- 3.1. Interconnecting Interface-box, harness and head-unit
- 3.2. Connection to AV-source or after-market rear-view camera
- 3.3. Activation of the interface as a current AV-source

### 4. Specifications

### 5. Technical Support

## Legal Information

By law, watching moving pictures while driving is prohibited, the driver must not be distracted. We do not accept any liability for material damage or personal injury resulting, directly or indirectly, from installation or operation of this product. This product should only be used while standing or to display fixed menus or rear-view-camera video when the vehicle is moving, for example the MP3 menu for DVD upgrades.

Changes/updates of the vehicle's software can cause malfunctions of the interface. We offer free software-updates for our interfaces for one year after purchase. To receive a free update, the interface must be sent in at own cost. Labor cost for and other expenses involved with the software-updates will not be refunded.

## 1. Prior to installation

Read the manual prior to installation. Technical knowledge is necessary for installation. The place of installation must be free of moisture and away from heat sources.

### 1.1. Delivery contents

Take down the SW-version and HW-version of the interface boxes, and store this manual for support purposes.

Interface-box  
RLC-M02  
HW \_\_\_\_\_ SW \_\_\_\_\_



### 1.2. Check compatibility of vehicle and accessories

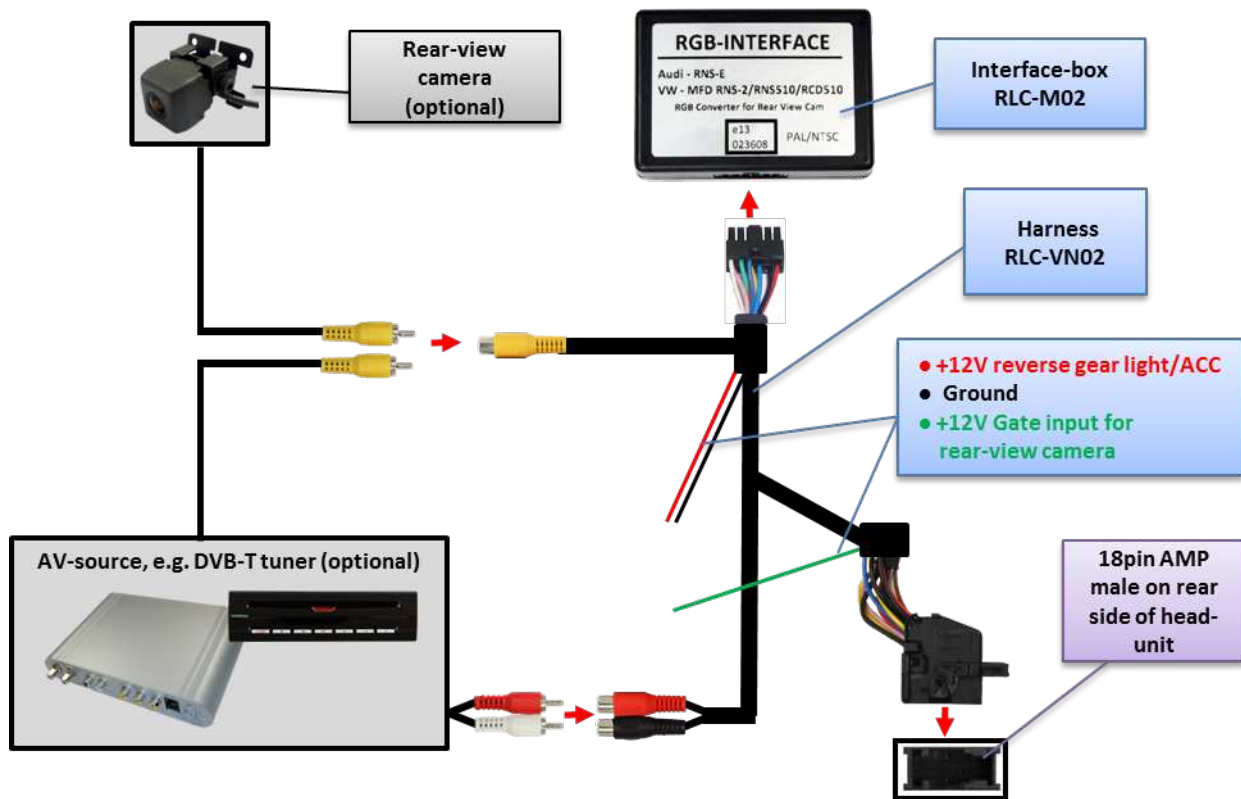
#### Requirements

Vehicle	Volkswagen, Seat and Skoda
Navigation	MFD2/RNS2, or Nexus navigation

#### Limitations

Factory-TV-tuner	Must NOT be installed.
Factory-rear-view-camera	Must NOT be installed.
Video-source	Interface is initialized to PAL.

## 2. Connection schema

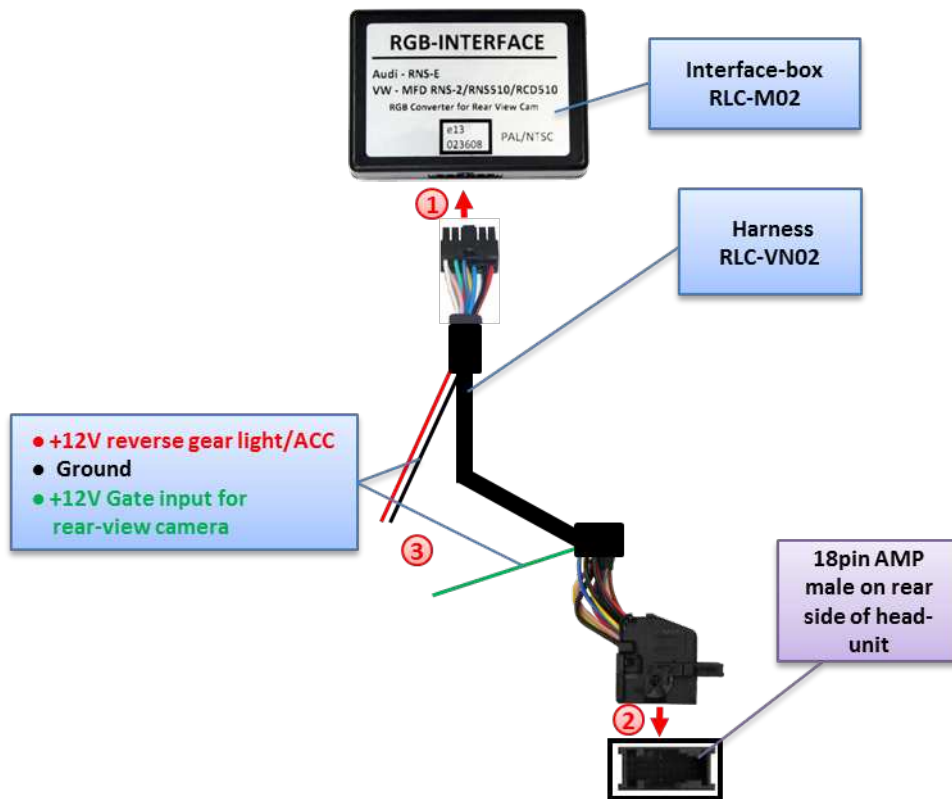


## 3. Installation

**Switch off ignition and disconnect the vehicle's battery! If according to factory rules disconnecting the battery has to be avoided, it is usually sufficient to put the vehicle in sleep-mode. In case the sleep-mode does not show success, disconnect the battery with a resistor lead.**

Place of installation is behind the head-unit.

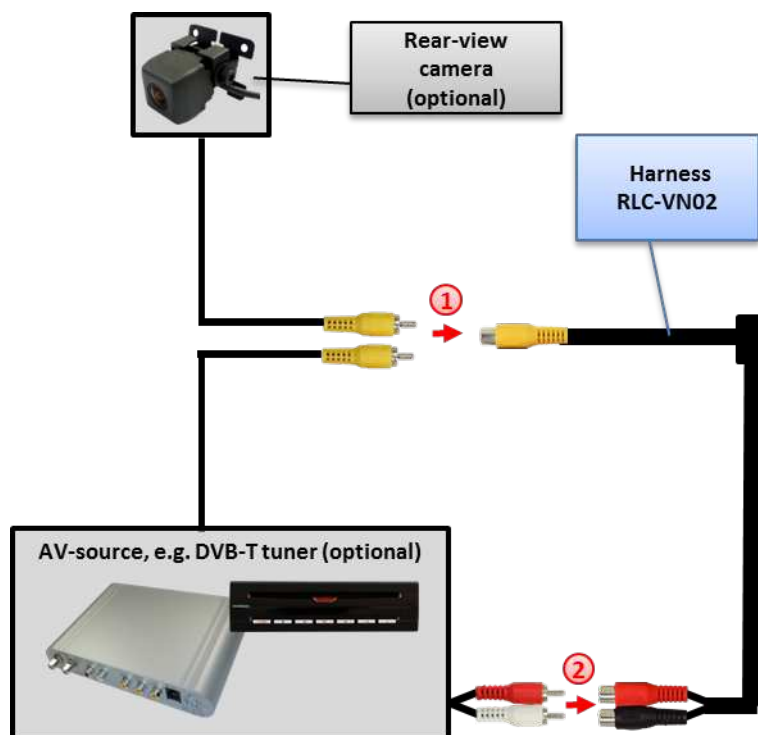
## 3.1. Interconnecting Interface-Box, harness and head-unit



- ① Plug harness RLC-VN02 into 12pin Molex of Interface-box RLC-M02.
- ② Plug female 18pin AMP connector of RLC-VN02 into male 18pin AMP-connector of head-unit.
- ③ If connecting an AV-source:  
Connect red cable of harness RLC-VN02 to +12V ACC and black cable of harness RLC-VN02 to ground. **NOT** connect the green wire.  
If connecting a rear-view camera:  
Connect red and green cable of harness RLC-VN02 to +12V reverse gear light (we suggest to connect through relays to avoid signal noise) and black cable of harness RLC-VN02 to ground.

**Note:** If the 18pin AMP-socket of the head-unit is already occupied, the vehicle probably has a factory rear-view camera or a factory TV-tuner. In case of a factory tuner, it must be uninstalled: disconnect the female 18pin AMP-connector of the factory harness and disconnect all wires from the factory TV-tuner. In case of a factory rear-view camera you have ordered/received the wrong product, call for support.

## 3.2. Connections to AV-source or after-market rear-view camera



- ① Connect the video RCA of the AV-source or the after-market rear-view camera to female video RCA-connector of harness RLC-VN02.
- ② If connecting an AV-Source, connect the audio RCA of the AV-source to female audio RCA-connector of harness RLC-VN02.

**Note:** The interface is initialized to PAL. Remove and isolate pin 15 of the 18pin female AMP connector of harness RLC-VN02 if you want to connect a NTSC-source.

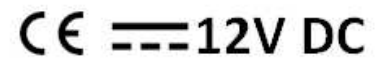
## 3.3. Activation of the interface as a current AV-source

**CD-version** Press **AUDIO** and select „AV“ (possibly switch the AV-source to “A+V” before)

**DVD-version** Press **CD** and select „AUX“

## 4. Specifications

Operation voltage	10.5 – 14.8V DC
Stand-by power drain	0mA
Operation power drain	200mA
Power consumption	2.8W
Temperature range	-30°C to +80°C
Weight	53g
Measurements (box only) B x H x T	72 x 23 x 50mm

A rectangular box containing the CE mark on the left and the text "12V DC" on the right, with a horizontal line above the "V".

## 5. Technical Support

**CAS GmbH**  
***manufacturer/distribution***  
In den Fuchslöchern 3  
D-67240 Bobenheim-Roxheim

email [support@casgermany.com](mailto:support@casgermany.com)

**Legal disclaimer:** Mentioned company and trademarks, as well as product names/codes are registered trademarks ® of their corresponding legal owners.