

Video-inserter RL4-MIB2-E18

Compatible with

VW and **MAN** vehicles with
MIB2 GP Composition Color infotainment
and 6.5 Zoll Monitor

Seat vehicles with
MIB2 GP Media System Touch Color infotainment
and 6.5 Zoll Monitor

Skoda vehicles with MIB2 GP-Radio Swing infotainment
and 6.5inch monitor



**Video-inserter for front- and rear-view camera
and two additional video sources**

Product features

- Video-inserter for factory-infotainment systems
- 1 CVBS Input for rear-view camera
- 1 CVBS Input for front camera
- 2 CVBS video-inputs for after-market devices (e.g. USB-Player, DVB-T2 tuner)
- Automatic switching to rear-view camera input on engagement of the reverse gear
- Automatic front camera switching after reverse gear for 10 seconds
- Video-in-motion (ONLY for connected video-sources)
- Video-inputs NTSC compatible

Contents

1. Prior to installation

- 1.1. Delivery contents
- 1.2. Checking the interface compatibility of vehicle and accessories
- 1.3. Connectors - video interface
- 1.4. Connectors - daughter PCB)
- 1.5. Dip-switch settings
 - 1.5.1. 8 dip – black
 - 1.5.1.1. Activating the front camera input (dip 1)
 - 1.5.1.2. Enabling the interface's video inputs (dip 2-3)
 - 1.5.1.3. Rear-view camera setting (dip 5)
 - 1.5.1.4. Monitor size (dip 7 and dip 8)
 - 1.5.2. 4 dip - red

2. Installation

- 2.1. Place of installation
- 2.2. Connection scheme
- 2.3. Installation – VW and Seat
- 2.4. Installation– Sloda with DIN housing below
- 2.5. Installation– Sloda with DIN housing on top
- 2.6. Warning notes, concerning the installation of ribbon cables
- 2.7. Connection – 20pin picture signal cable
- 2.8. Connection – 10pin Power / CAN cable
- 2.9. Analogue power supply
- 2.10. Power supply output
- 2.11. Connection – video inputs
 - 2.11.1. Audio insertion
 - 2.11.2. After-market front camera
 - 2.11.3. After-market rear-view camera
 - 2.11.3.1. Case 1: Interface receives the reverse gear signal
 - 2.11.3.2. Case 2: Interface does not receive the reverse gear signal
- 2.12. Connection – external keypad

3. Interface operation by external keypad

4. Picture settings

5. Specifications

6. Frequently asked questions

7. Technical support

Legal Information

By law, watching moving pictures while driving is prohibited, the driver must not be distracted. We do not accept any liability for material damage or personal injury resulting, directly or indirectly, from installation or operation of this product. This product should only be used while standing or to display fixed menus or rear-view-camera video when the vehicle is moving, for example the MP3 menu for DVD upgrades.

Changes/updates of the vehicle's software can cause malfunctions of the interface. We offer free software-updates for our interfaces for one year after purchase. To receive a free update, the interface must be sent in at own cost. Labour cost for and other expenses involved with the software-updates will not be refunded.

1. Prior to installation

Read the manual prior to installation.

Technical knowledge is necessary for installation. The place of installation has to be free of moisture and away from heat sources.

1.1. Delivery contents



Take down the serial number of the interface and store this manual for support purposes:

1.2. Checking the compatibility of vehicle and accessories

Requirements

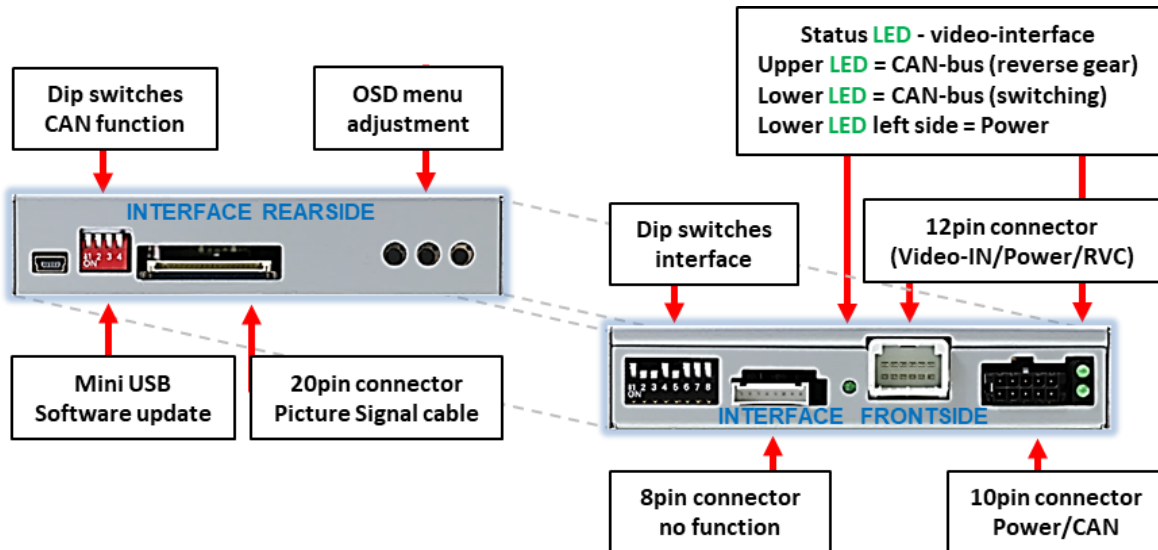
Brand	Compatible vehicles	Compatible systems
MAN	TGE (VW Crafter based) since 04/2017 til model year 2023	MIB2 GP - Composition Color - All-in-One head-unit with 6.5inch monitor
Seat/Cupra	Arona (KJ7) model year 2017-2021 Ateca (KH7) 04/2016 til model year 2020 Ibiza5 (KJ) 06/2017 til model year 2021 Leon3 (5F) model year 2018-2019 Toledo4 (KG) since model year 2018	MIB2 GP (Entry) - Media System Touch Color –All-in-one DIN head-unit with 6.5inch monitor
Skoda	Fabia3 (NJ) since 10/2014 til 08/2021 Fabia4 (PJ) since 09/2021 Octavia3 (5E) since model year 2018 Rapid (NH1) since model year 2018 Superb3 (3V) since model year 2018 til 11/2023	MIB2 GP - Radio Swing - All-in-one DIN head-unit with 6.5inch monitor and PHONE-button on bottom left
VW	Crafter (SZ/SY) since model year 2017 til 06/2024 Golf7 (5Q) since model year 2018-, Golf7 Sportsvan (AM1) model year 2018-2020 Passat (B8) since model year 2018 til 03/2024 Polo6 (AW1) since model year 2018 T-Cross (C1) since 04/2019 til 12/2023 T-Roc (A11) since model year 2018 til 03/2024 Taigo (CS) since 09/2021 til 03/2024 Tiguan (AD1) since model year 2018 til 11/2023 Touran (5T) since model year 2018 Transporter T6.1 (SH) since 10/2019	MIB2 GP (Entry) - Composition Color - All-in-One DIN head-unit with 6.5inch monitor

Limitations

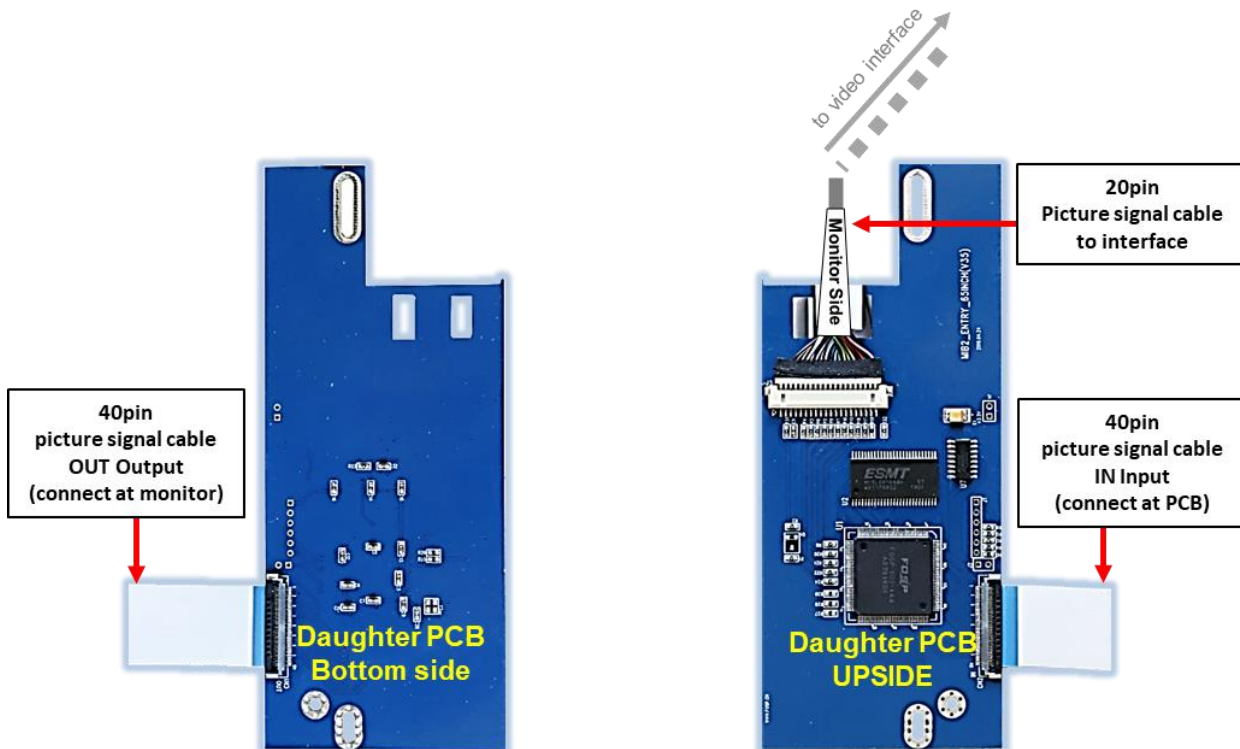
<i>Video only</i>	The interface inserts ONLY video signals into the infotainment. For inserting Audio signals either the possibly existing factory audio-AUX-input or a FM-modulator can be used. In case that 2 AV sources shall be connected, a desired audio switching will require additional electronic.
<i>Factory rear-view camera</i>	Automatically switching-back from inserted video to factory rear-view camera is only possible while the reverse gear is engaged. To delay the switch-back an additional electronic part is required.
<i>After market front camera</i>	The front camera will automatically be switched for 10 seconds after disengaging the reverse gear. A manually front camera switching is possible by external keypad.
<i>Video input signal</i>	NTSC video sources compatible only.

1.3. connectors - video-interface

The video-interface (daughter PCB) converts the video signals of connected after-market sources in a factory monitor compatible picture signal which is inserted in the factory monitor, by using separate trigger options.



1.4. connectors – daughter PCB

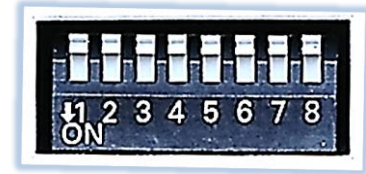


1.5. Dip-switch settings

1.5.1. 8 dip - black

Some settings have to be selected by the dip-switches on the video interface.

Dip position down is ON and position up is OFF.



Dip	Function	ON (down)	OFF (up)
1	Front camera	enabled*	disabled
	Power supply output (red wire)	+12V (max. 3A) when reverse gear is engaged incl. 10 seconds delay and +12V by manual switching to front camera by keypad	+12V (max. 3A) ACC
2	CVBS AV1-input	enabled	disabled
3	CVBS AV2-input	enabled	disabled
4	No function		Set to OFF
5	Rear-view cam type	after-market	factory or none
6	No function		Set to OFF
7	Monitor adjustment	Try all 4 possible combinations of dip 7 and 8 to find the best picture (quality and size)	
8			

*The front camera will automatically be switched for 10 seconds after disengaging the reverse gear (see following information).

1.5.1.1. Activating the front camera input (dip 1)

If set to ON, the interface switches for 10 seconds from the rear-view camera to the front camera input after having disengaged the reverse gear. In addition, a manual switch-over to the front camera input is possible via keypad (short press) from any image mode.

Description of the front camera power supply: see chapter "Power supply output".

1.5.1.2. Enabling the interface's video inputs (dip 2-3)

Only the enabled video inputs can be accessed when switching through the interface's video sources. It is recommended to enable only the required inputs, disabled inputs will be skipped when switching through the video-interfaces inputs.

1.5.1.3. Rear-view camera setting (dip 5)

If set to OFF, the interface switches to factory picture while the reverse gear is engaged to display factory rear-view camera.

If set to ON, the interface switches to its rear-view camera input „Camera-IN“ while the reverse gear is engaged.

1.5.1.4. Monitor size (dip 7 and dip 8)

Dip 7 and 8 are for monitor-specific video settings which cannot be predicted as even within the same head-unit version, the monitor specifications may vary. It is necessary to try all possible combinations (both OFF, both ON, 7 OFF and 8 ON, 7 ON and 8 OFF) - while a working video source is connected to the chosen input of the interface - to see which combination gives the best picture quality and size (some may give no picture). It is possible to first hot plug through the dip combinations, but if you do not experience any change of picture after trying all 4 options, retry and disconnected the 6pin power plug of the video-box between every change of the dip setting.

Note: Dip 4 and dip6 are out of function and have to be set to **OFF**.

After each Dip-switch-change a power-reset of the Video Interface has to be performed!

1.5.2. 4 dip - red

By using the Dip-switches, the factory Head-unit or vehicle can be chosen which the interface will be connected to.

Dip position down is **ON** and position up is **OFF**.

Set all dip switches to off



Vehicle/Navigation	Dip 1	Dip 2	Dip 3	Dip 4
All vehicles	OFF	OFF	OFF	OFF

2. Installation

To install the interface, first switch off the ignition and disconnect the vehicle's battery. Please read the owner's manual of the car, regarding the battery's disconnection! If required, enable the car's Sleep-mode (hibernation mode) In case the sleep-mode does not succeed, the disconnection of the battery can be done with a resistor lead.

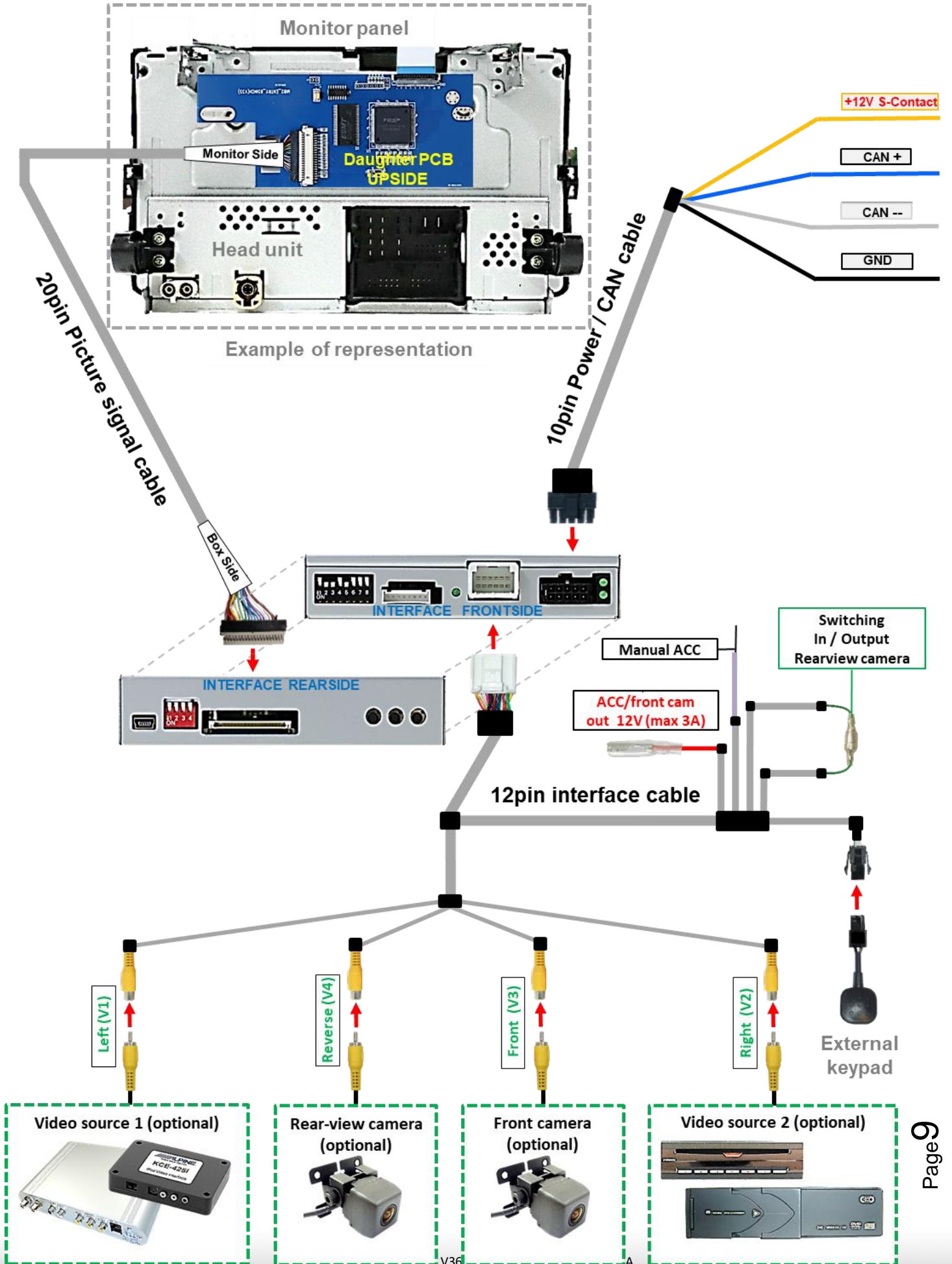
As with any installation of retrofit equipment, a stand-by test is necessary after the installation of the video interface, to ensure that the unit also switches off after reaching the vehicle's sleep mode.

Before the final installation, we recommend a test-run of the interface. Due to changes in the production of the vehicle manufacturer, there's always the possibility of incompatibility.

2.1. Place of installation

The video interface is designated to be connected behind the vehicle's head unit. The daughter PCB shell be connected inside the factory head unit's monitor and installed behind the monitor panel, or below the DIN housing (e.g. Skoda Rapid).

2.2. Connection scheme



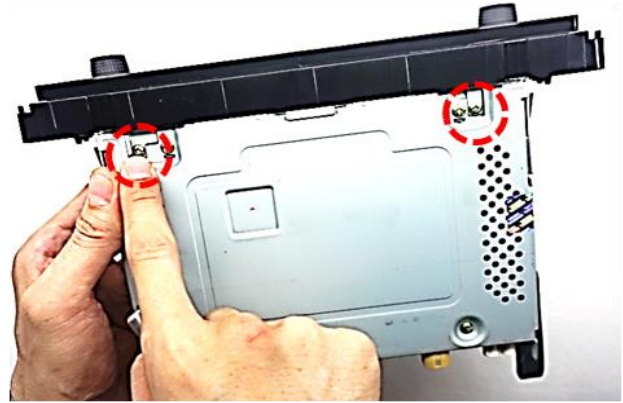
2.3. Installation – VW and Seat

Remove the factory monitor and open its housing. The daughter PCB is built to be installed into the optical lead between the monitor panel and mainboard of the vehicles monitor.



1

Screw out the two fixing screws at the head unit's upper side.



2

Screw out the two fixing screws at the head unit's bottom side.



3

Use a flat-blade screwdriver to gently click up the buckle.



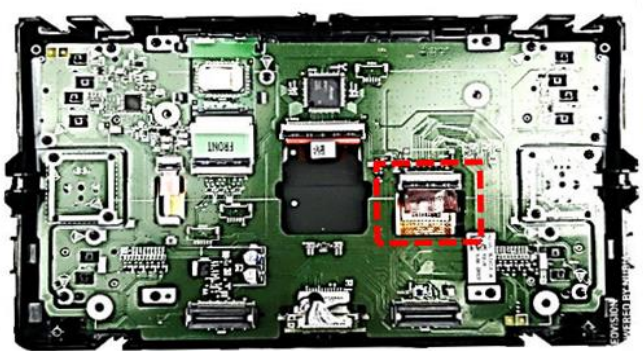
4

Carefully separate the monitor part from the head unit.



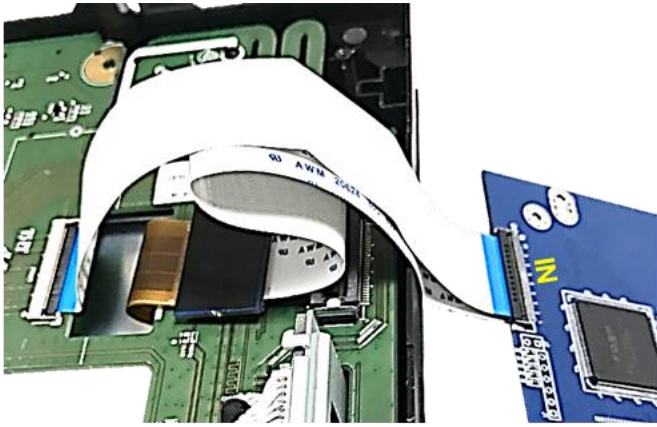
5

Screw out the 6 fixing screws at the monitor's backside and remove the metal bracket



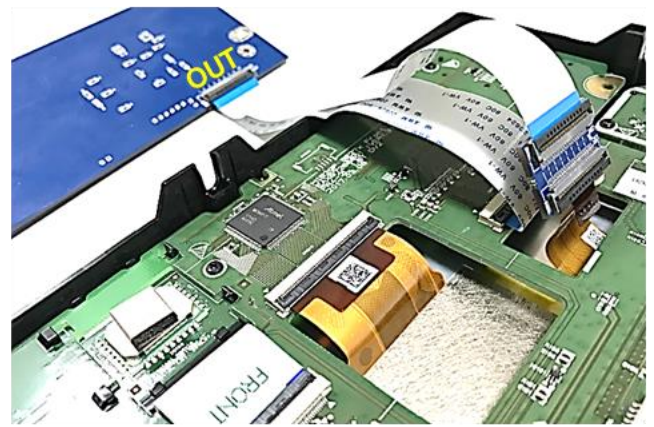
6

After removing the metal bracket, gently disconnect the factory picture signal cable at the monitor PCB's ribbon cable base.



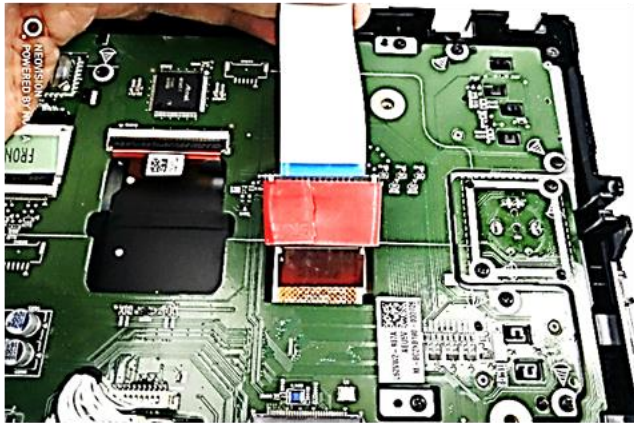
7

Connect the daughter PCB's ribbon cable „IN“ to the previously become free monitor PCB's ribbon cable base.



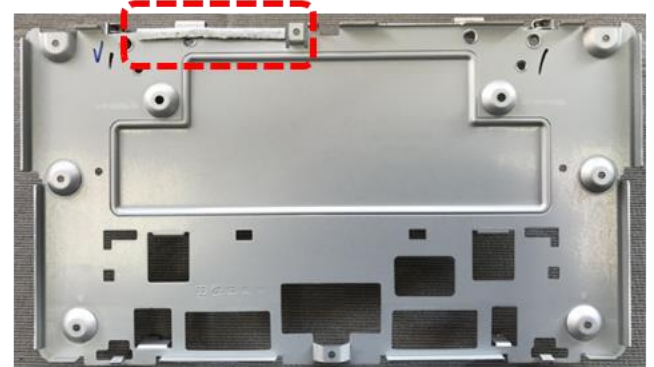
8

Connect the previously become free copper coloured factory ribbon cable to the merger of the daughter PCB's ribbon cable „OUT“.



9

Before placing and outleaving the daughter PCB's ribbon cables, the ribbon cable merger has to be isolated to save the system from short circuits.



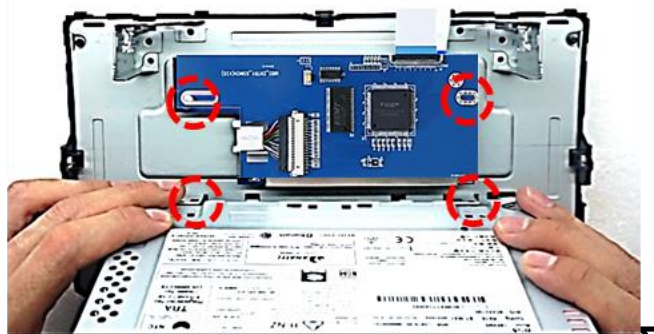
10

Bend the marked point on the back plate inwards to ensure that the ribbon cables are led out without injury. Additionally protect the cables with tape against injury by housing parts.



11

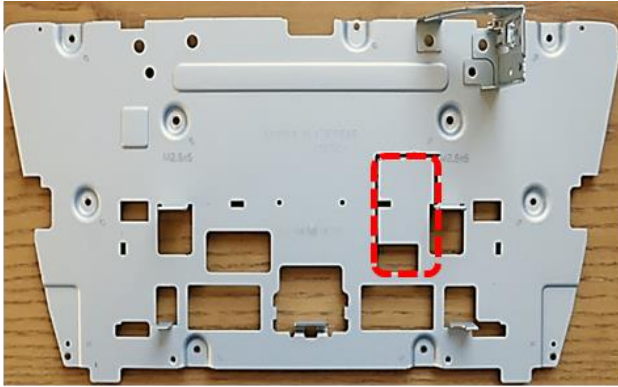
Close the monitor housing with the metal bracket and fix it with 4 of the original screws at the edges. The 2 enclosed spacers have to be screwed in the 2 free middle holes for the daughter PCB's fixing.



12

Fix the PCB with 2 screws. Fix the monitor with installed PCB to the head unit with the screws at the upper and the bottom side of the head unit.

2.4. Installation – Skoda with DIN housing below



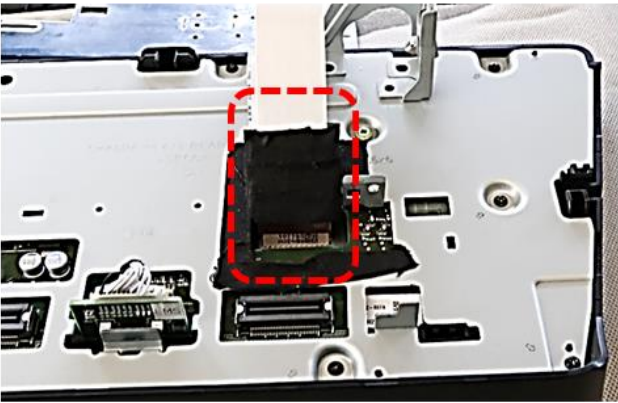
1

Remove the head unit from the monitor (see VW/Seat). For later leading-out the ribbon cables, cut out the monitor back plate at the marked point and protect the cut edges with fabric tape.



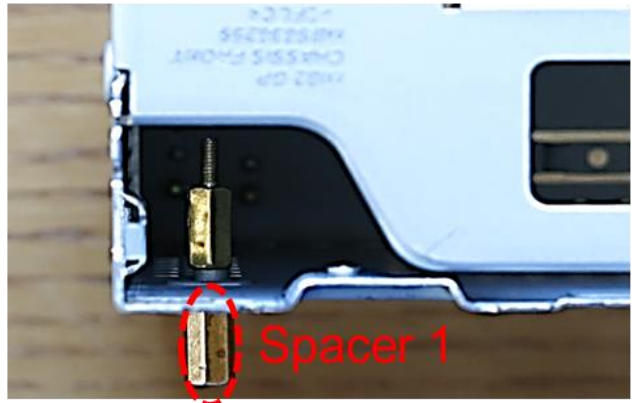
2

Connect the daughter PCB's ribbon cable "OUT" to the factory monitor board's cable base and connect the factory ribbon cable to the daughter PCB's cable merger "IN".



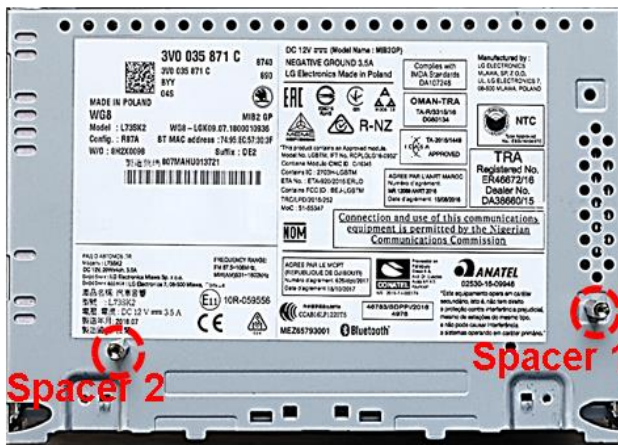
3

Before leading out the ribbon cables, the ribbon cable merger and the ribbon cables have also to be protected with tape to prevent cable damage and short circuits.



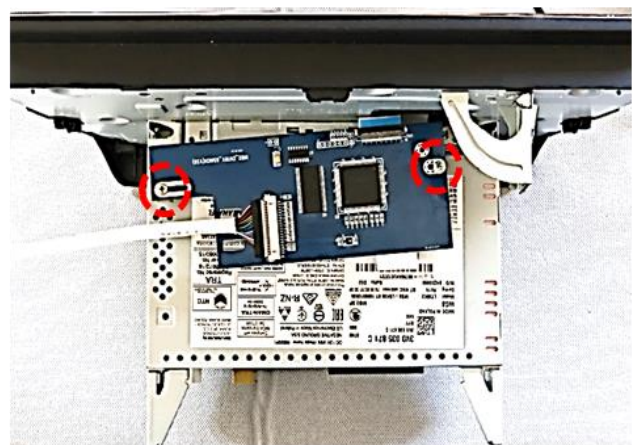
4

For later attachment of the daughter PCB to the Head Unit, mount one of the spacers supplied on the outside and fix it on the inside at the position shown. See also Fig. 5



5

Mount the second spacer to the head unit housing and fix it on the opposite, if necessary.



6

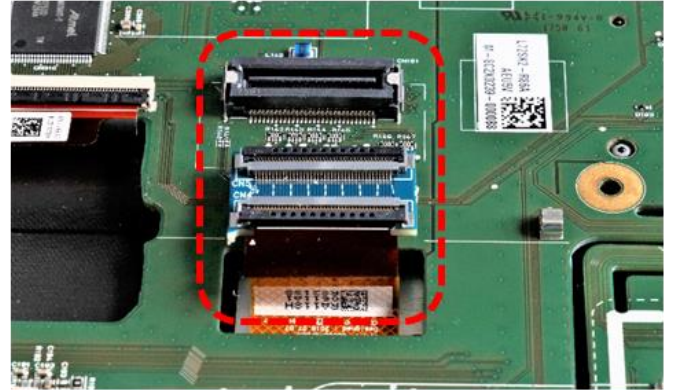
Screw the monitor to the top and bottom of the head unit, using the original screws and attach the daughter PCB to the pre-mounted spacers.

2.5. Installation – Skoda with DIN housing on top



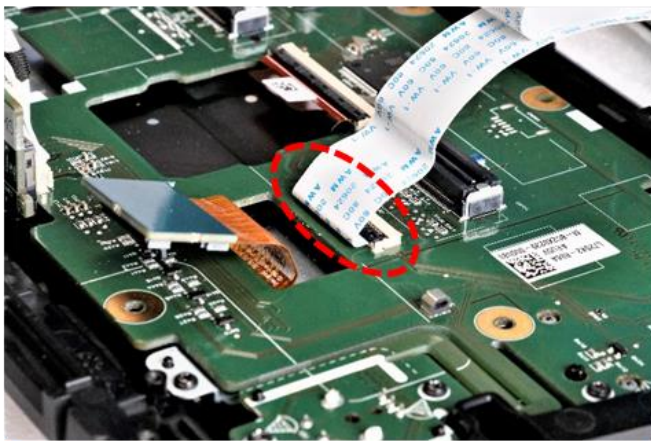
1

If the DIN housing is mounted on top (e.g. Skoda Rapid), the routing of the ribbon cables and the PCB installation differs. First disconnect the top-mounted DIN housing from the monitor.



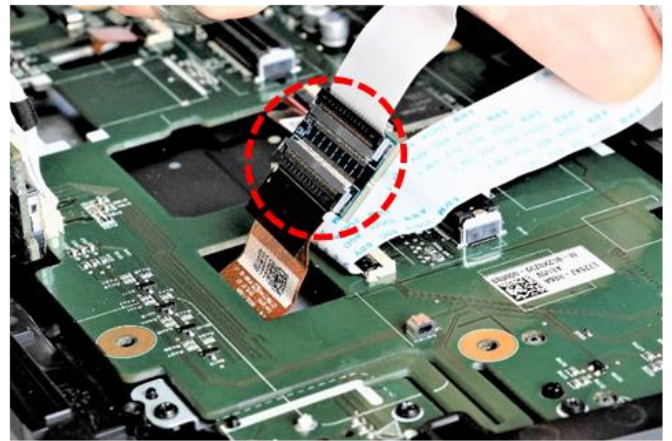
2

Unclip the copper-coloured factory ribbon cable from the ribbon cable base of the monitor board and clip it to the ribbon cable base of the enclosed ribbon cable merger (pre-assembled).



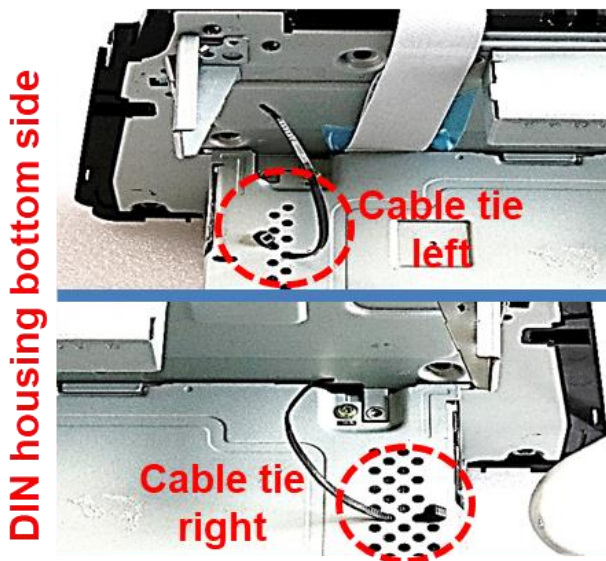
3

Clip the second enclosed ribbon cable to the previously become free ribbon cable base of the monitor board with the contacts facing upwards.



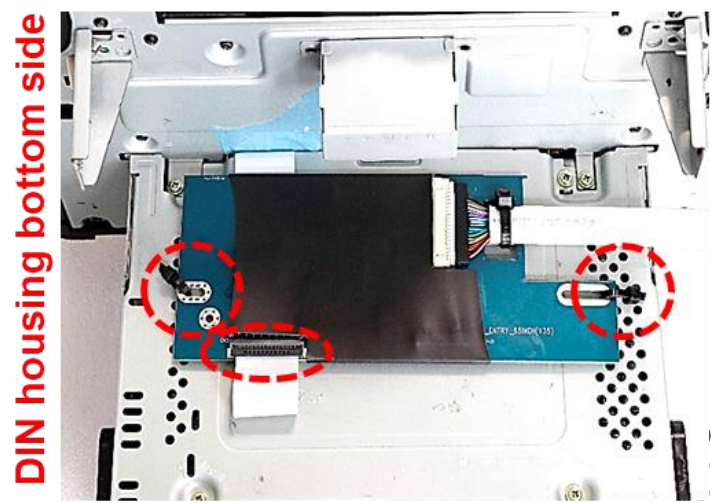
4

After connecting both ribbon cables, protect ribbon cable merger and ribbon cables from short circuits or cable damage with tape when leading them out before reassembling the monitor panel. See also Fig. 5 and 6



5

Pass a cable tie through on the right and left for subsequent attachment of the daughter PCB at the same points as shown in the picture.



6

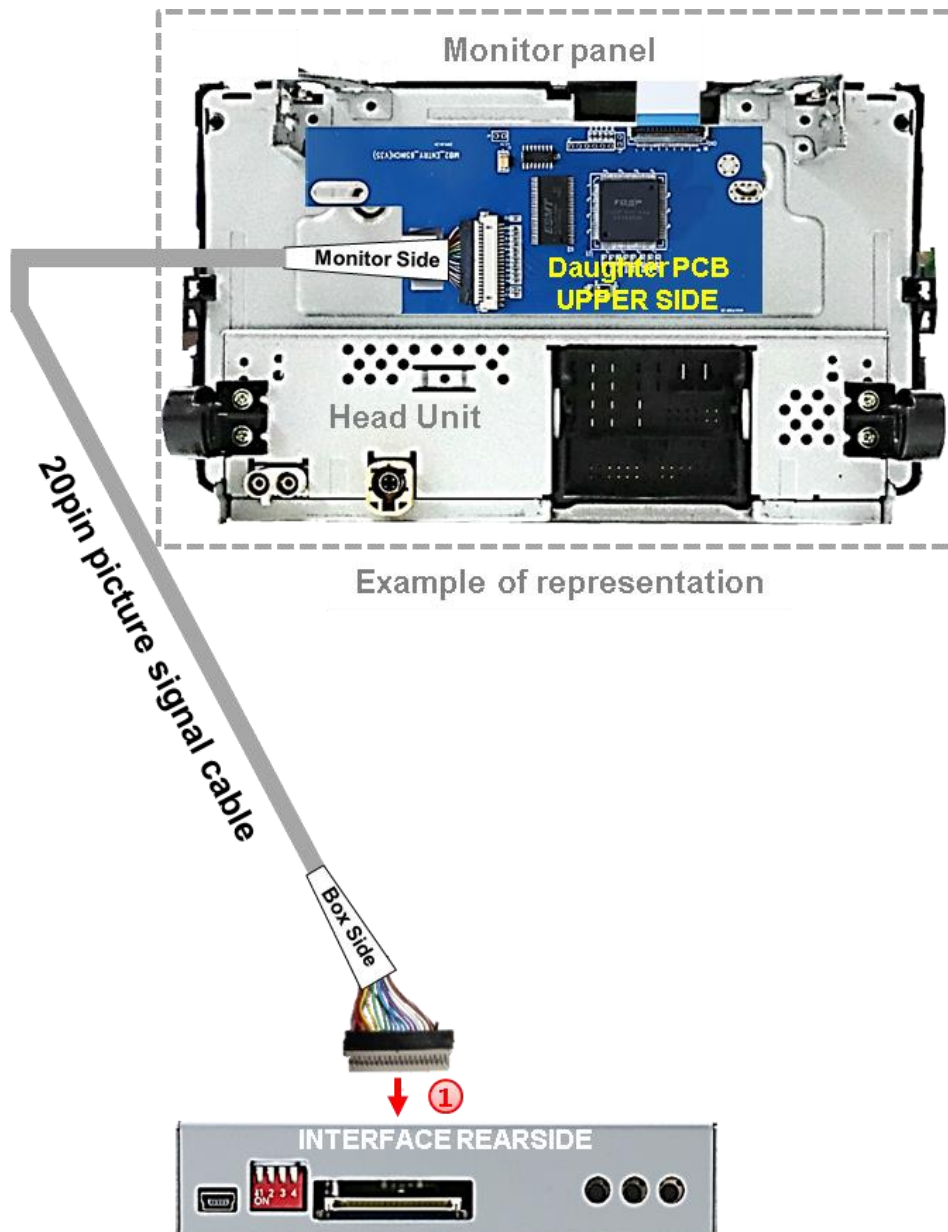
Pass the two ribbon cables under the daughter PCB, connect them to the daughter PCB's two ribbon cable bases and fix the daughter PCB in place.

2.5.1. Warning notes, concernin the installation of ribbon cables

1) The contacting ends of ribbon cables always have to be installed in a straight and precise 180° position to the connector. Each deviation from a perfect contact position will curse faulty contact and even danger of short circuit

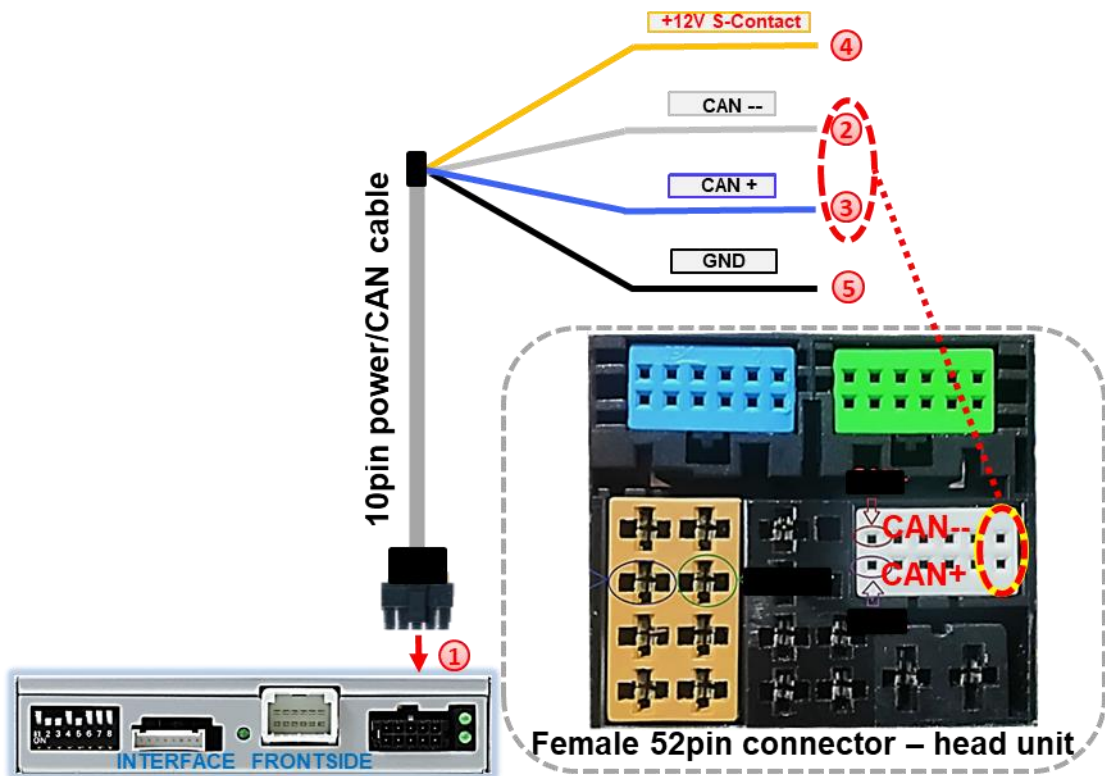
2) The ribbon cable's contacting side always has to correspond to the contacting side of the connector, concerning the mounting position.

2.6. Connection – 20pin picture signal cable



- 1 Connect the female 20pin connector of the daughter PCB's pre-connected 20pin picture signal cable to the video interface's male 20pin connector.

2.7. Connection – 10pin Power / CAN cable



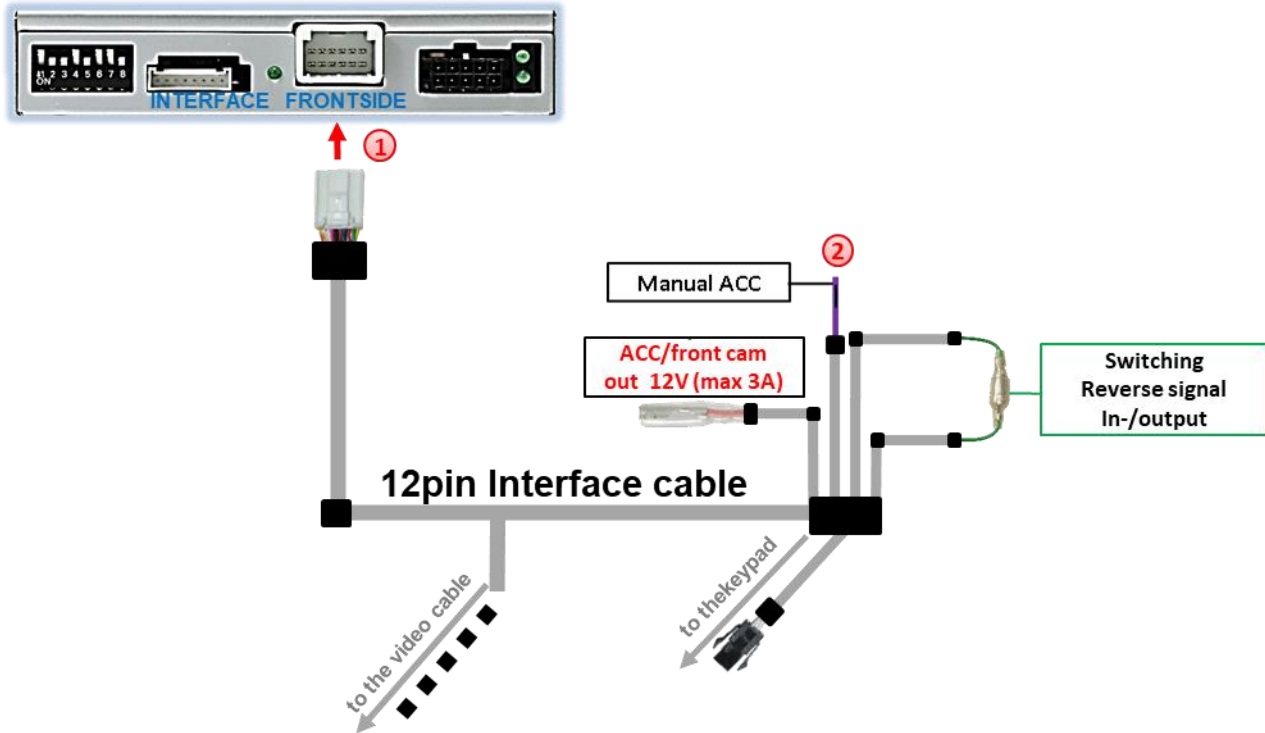
no liability for pin assignment–measurement required!

- 1 Connect the enclosed 10pin Power / CAN cable's female 10pin connector to the male 10pin connector of the video interface.
- 2 Connect the single grey wire „CAN LOW“ of the 4 cables to the vehicle's CAN low wire and isolate the connection (Pins – see diagram).
- 3 Connect the single blue wire „CAN HIGH“ of the 4 cables to the vehicle's CAN high wire and isolate the connection (Pins – see diagram).
- 4 Connect the single yellow wire to **+12V terminal 86S S-Contact**.
- 5 Connect the single black cable to the vehicle's negative **Ground**.

Exceptionally, the CAN communication may not succeed in all vehicles! If, after connecting the 10pin power cables, no interface LED lightens up while the ignition is turned on, the analog power supply needs to be done! (see following chapter)

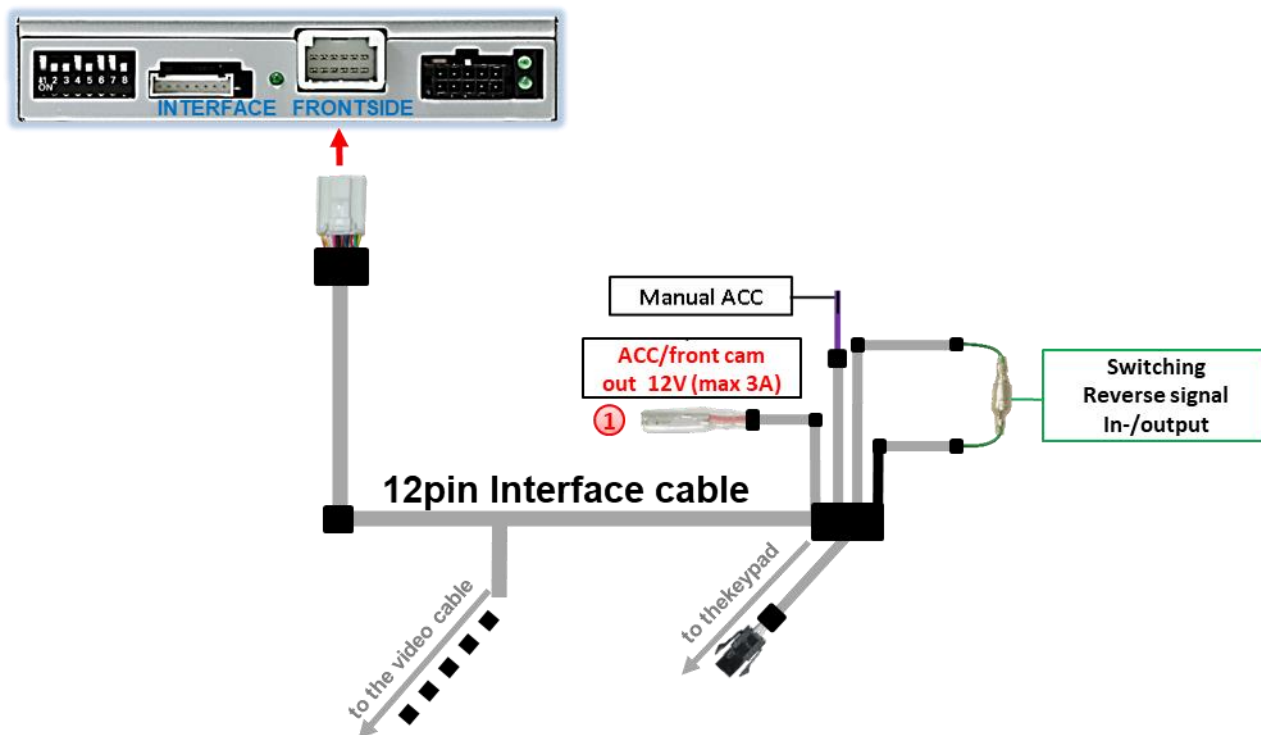
2.8. Analog power supply

If the communication between the CAN box and the vehicle's CAN bus does not succeed (not all vehicles are compatible), the analogue connection is required.



- 1 Connect the female 12pin connector of the 12pin interface cable to the male 12pin connector of the video interface.
- 2 Connect the 12pin interface cable's purple coloured wire **Manual ACC** to +12V **Ignition power** or to +12V **S-contact terminal 86s +12V** (e.g. glove compartment illumination).

2.9. Power supply output



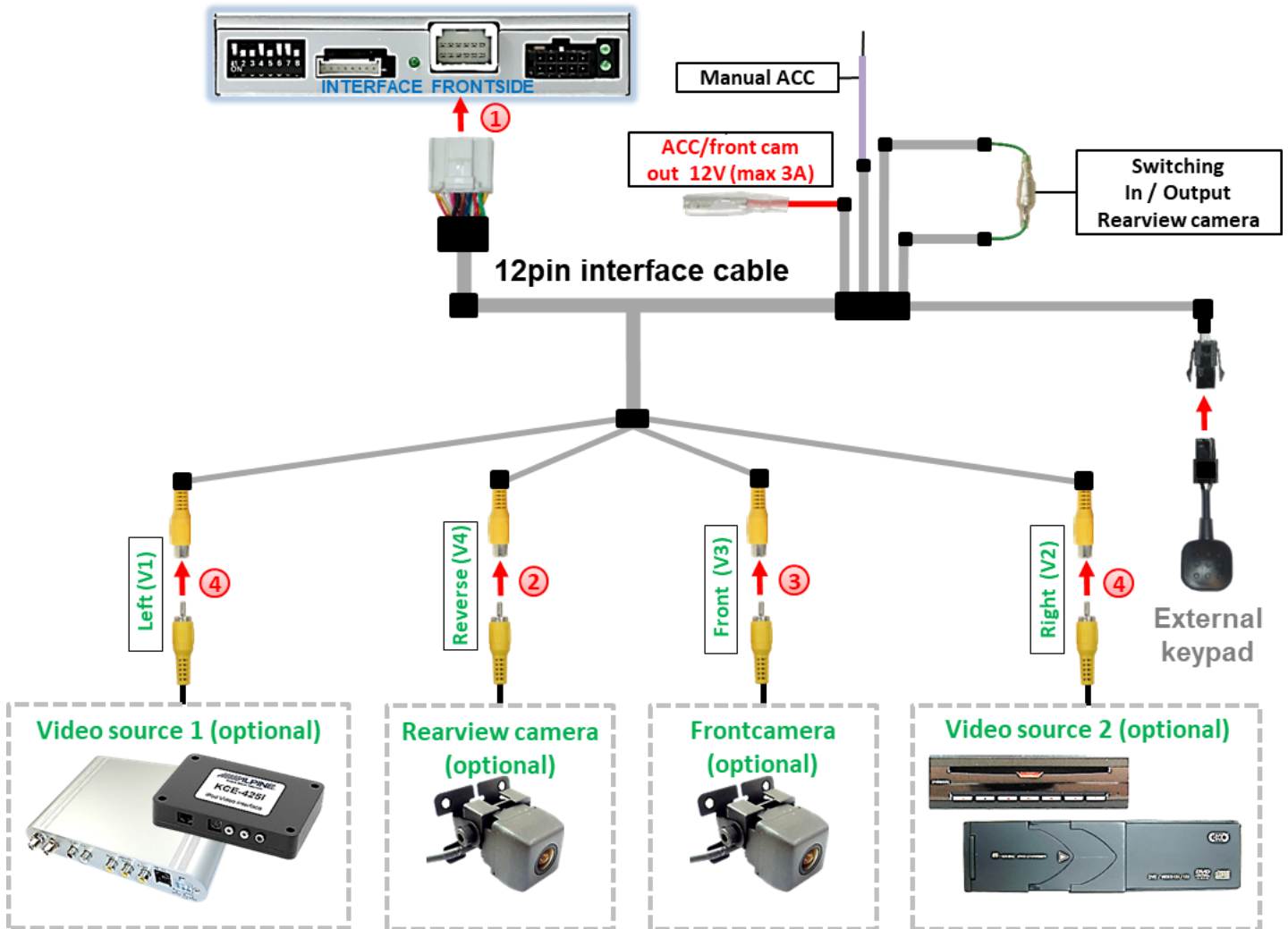
① The red power supply output **ACC/front cam out 12V (max 3A)** can be used to power an external source and has a different assignment, depending on the position of dip switch 1 (of 8 daps):

Dip	Function
Dip 1 ON	+12V (max. 3A) when reverse gear is engaged plus 10 seconds delay after reverse gear is disengaged and +12V when manually switched to front camera by keypad (short press)
Dip 1 OFF	+12V permanent (max. 3A) ACC

2.10. Connection – Video sources

It is possible to connect an after-market rear-view camera, an after-market front camera and two more video sources to the video-interface.

Before the final installation, we recommend a test-run to detect a incompatibility of vehicle and interface. Due to changes in the production of the vehicle manufacturer there's always a possibility of incompatibility.

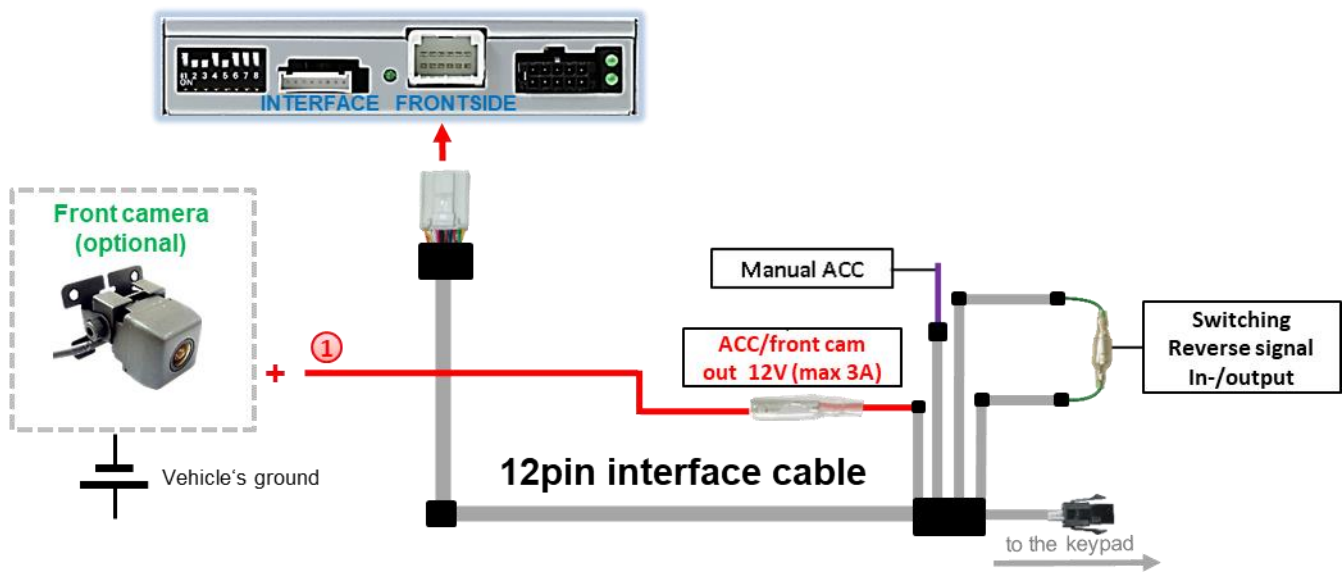


- 1 Connect the 12pin interface cable's female 12pin connector to the male 12pin connector of the video-interface.
- 2 Connect the video RCA of the Rear-view camera to the 12pin interface cable's female RCA connector „Reverse V4“.
- 3 Connect the front camera's video RCA connector to the 12pin interface cable's female RCA connector „Front V3“.
- 4 Connect the video RCA of the AV source 1 and 2 to the 12pin interface cable's female RCA connector “Left (V1)” and “Right (V2)”.

2.10.1. Audio insertion

This interface is only able to insert video signals into the factory infotainment. If an AV-source is connected, the audio insertion has to be done by the factory audio AUX input or an FM-modulator. The inserted video-signal can be activated simultaneously to each audio-mode of the factory infotainment. If 2 AV sources shall be connected to the infotainment, additional electronic is necessary to switch the audio signals.

2.10.2. After-market front camera



- ① The red power supply output **ACC/front cam out 12V (max 3A)** can be used to power a front camera. If Dip 1 is set to ON (black 8 dips), the power supply output gives +12V (max 3A) when reverse gear is engaged plus 10 seconds delay after reverse gear is disengaged.

Note: In addition, a manual switch-over to the front camera input is possible via keypad (short press) from any image mode. The power supply output gives +12V then, as well (if Dip 1 is set to ON and the front camera input is selected).

Attention: A long press of the external keypad push button will switch the interface to the next source.

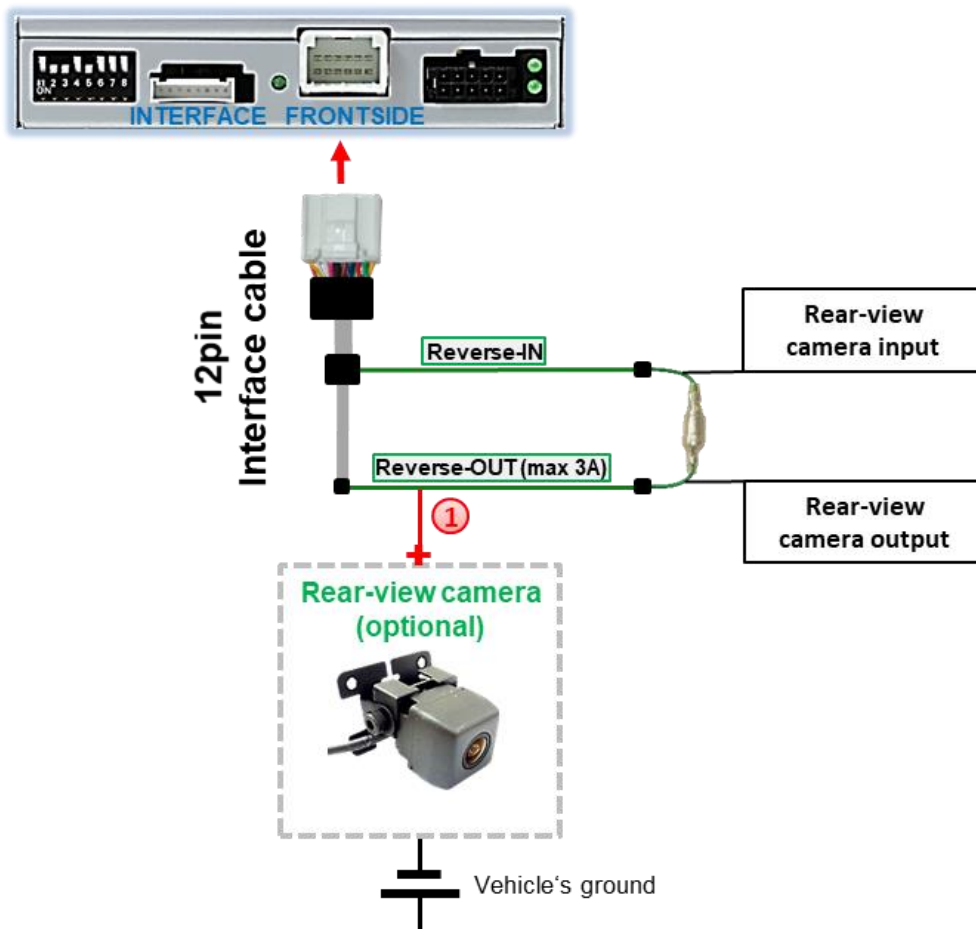
2.10.3. After-market rear-view camera

Some vehicles have a different reverse gear code on the CAN-bus which doesn't communicate with the interface's CAN. In this case there are two different ways of installation. If the interface's CAN is able to detect an enabled vehicle's reverse gear, the green wire of the 12pin cable should carry +12V while the reverse gear is engaged.

Note: Do not forget to set dip5 of video-interface to ON before testing.

2.10.3.1. Case 1: Interface receives the reverse gear signal

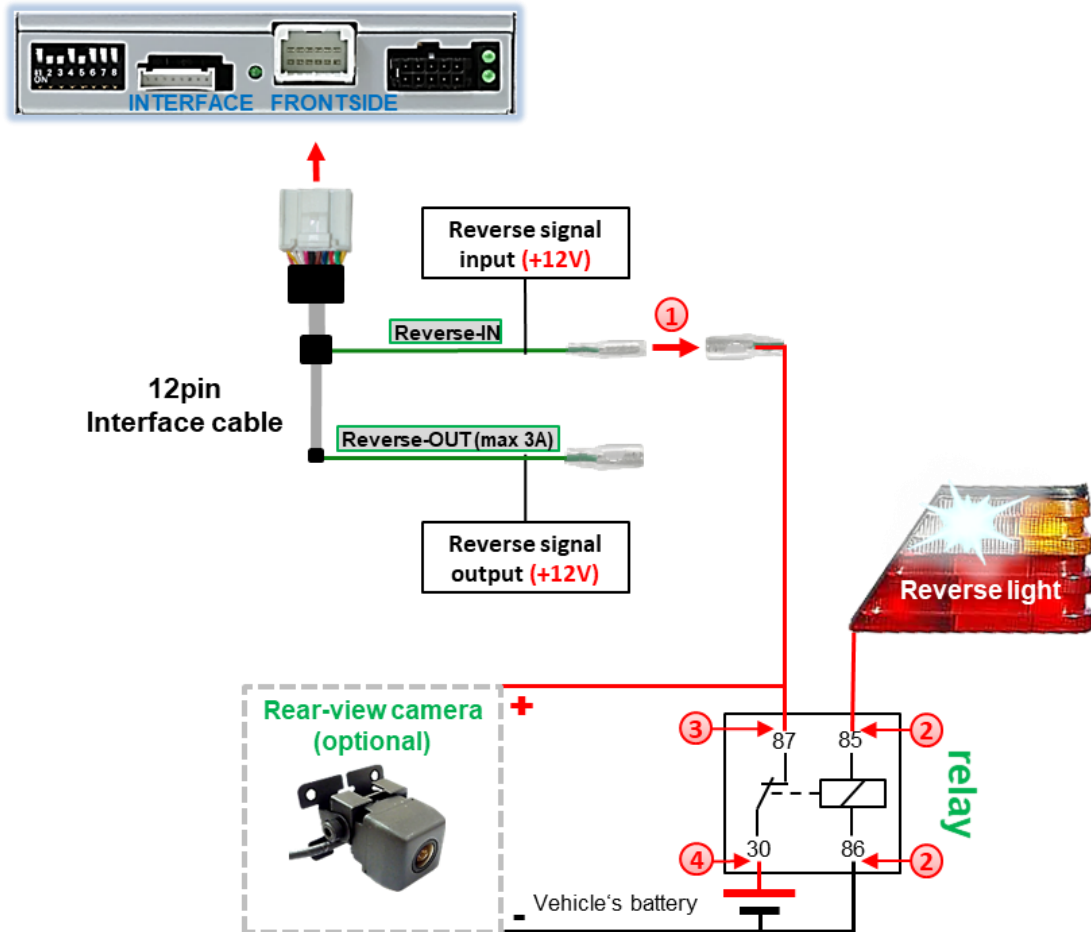
If the interface receives +12V on the green wire of the 12pin interface cable while reverse gear is engaged, the video interface will automatically switch to the rear-view camera input **"CAMERA-IN"** while the reverse gear is engaged.



- ① The 12 V power supply for the rear-view camera (max 3A) has to be taken from the 12pin interface cable's green wire **"Reverse-OUT"** to avoid an unnecessary, permanent power supply to the camera electronic. Both green cables **"Reverse IN"** and **"Reverse OUT"** have to remain connected.

2.10.3.2. Case 2: Interface does not receive the reverse gear signal

If the video interface does not receive +12V on the green wire of the 12pin interface cable when reverse gear is engaged (not all vehicles are compatible), an external switching signal from the reverse gear light is required. As the reverse gear light's power supply isn't voltage-stable all the time, an ordinary open relay (e.g AC-RW-1230 with wiring AC-RS5) or filter (e.g. AC-PNF-RVC) is required. The diagram below shows the connection type of the relay.

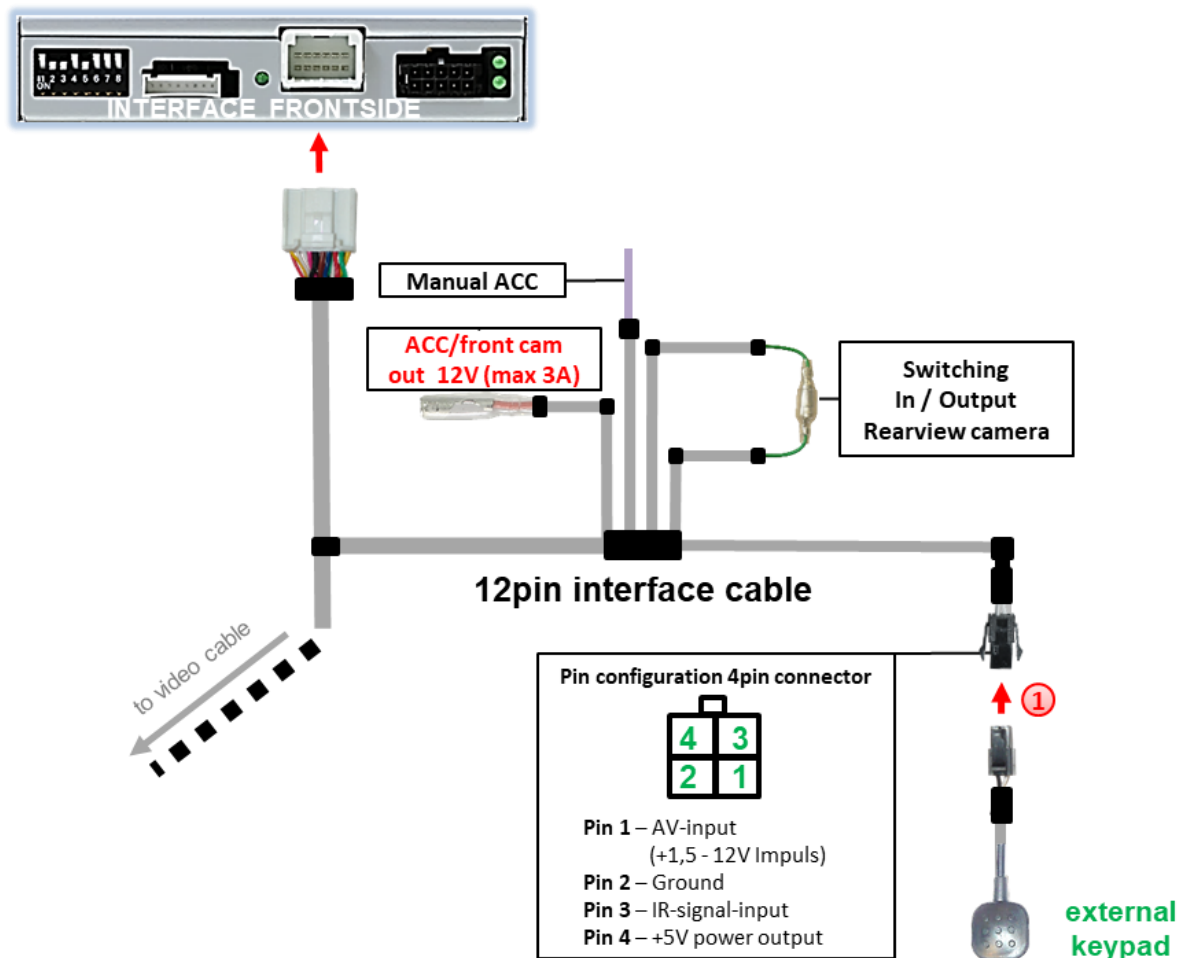


- ① Disconnect the green cable's pre-connected male- and female connectors of the 12pin cable and connect the green input cable "Reverse-IN" to the output connector (87) of the relay.

Note: Not least to avoid short circuits, the best solution should be, to crimp a male 4mm connector to the relay's output cable and connect it to the green cable's female 4mm connector. The output-cable "Reverse-OUT" remains disconnected as it's out of function.

- ② Connect the Reverse light's power-cable to coil (85) and the vehicle's ground to coil (86) of the relay.
- ③ Connect the output connector (87) of the relay to the rear-view camera's power-cable, like you did it to the green "Reverse-IN" cable before.
- ④ Connect permanent power / 12V to the relay's input connector (30).

2.11. Connection – external keypad



- 1 Connect the keypad's female 4pin connector to the 12pin interface cable's male 4pin connector.

Note: Even if the switching through several video sources by the keypad mightn't be required, the keypad's invisible connection and availability is strongly recommended.

3. Interface operation by external keypad

The interface's external keypad can be used to switch the enabled inputs.

➤ Long press of keypad (2-3 seconds)

By long pressing the external keypad (2-3 seconds), the video interfaces switches the input from the factory video to the inserted video sources.

Each press (approx. 2 sec) will switch to the next enabled input. If all inputs are enabled the order is:

Factory video → video IN1 → video IN2 → factory video →...

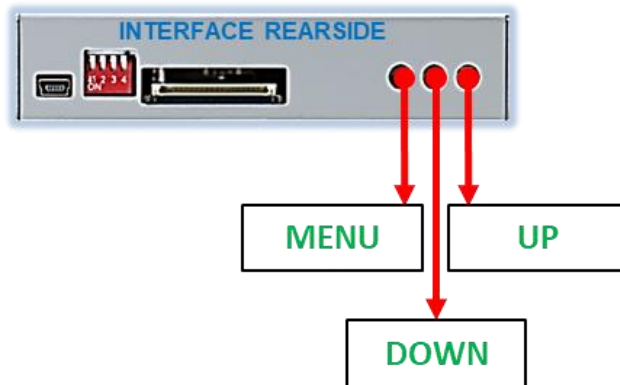
Disabled inputs will be skipped.

Note: The interface switches **after releasing** the switch (after long pressure).

➤ Short press of keypad (only if DIP 1 is set to ON)

By short pressing the external keypad, the video interfaces switches from the factory video to the front camera input and back to factory video.

4. Picture settings

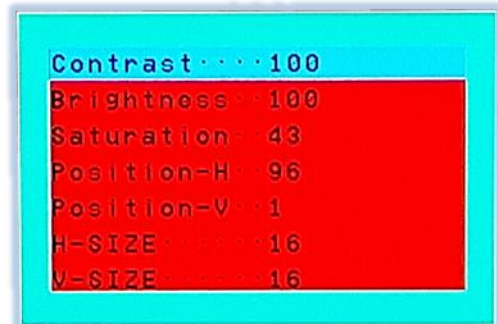


The picture settings are adjustable by the 3 push-buttons of the daughter PCB's menu keypad. Press the 1. button to open the OSD settings menu or to switch to the next menu item. By pressing the other both push buttons the selected value will be changed. To avoid accidental changes during or after the installation, we recommend to disconnect the keypad from the pushbutton cable after the adjustments are done. Adjustments have to be done, while the selected input is visible on the monitor.

Note: The OSD menu is only shown when a working video source is connected to the selected video-input of the interface.

The following settings are available:

- Contrast
- Brightness
- Saturation
- Position H (horizontal picture position)
- Position V (vertical picture position)
- Size H (horizontal picture size)
- Size V (vertical picture size)



Note: To adjust the reverse picture settings, engage the reverse gear.

5. Specifications

BATT/ACC range	7V - 25V
Stand-by power drain	12mA
Power	150mA @12V
Video input	0.7V - 1V
Video input formats	NTSC
Temperature range	-40°C to +85°C
Dimensions Video-box	117 x 26 x 90mm (W x H x D)
Dimensions daughter PCB	148 x 5 x 61mm (W x H x D)

6. FAQ – Trouble shooting Interface functions

For any troubles which may occur, check the following table for a solution before requesting support from your vendor.

Symptom	Reason	Possible solution
No picture/black picture (factory picture).	Not all connectors have been reconnected to factory head-unit or monitor after installation.	Connect missing connectors.
	No power on CAN-bus box (all LED CAN-bus box are off).	Check power supply of CAN-bus box. Check CAN-bus connection of CAN-bus box.
	CAN-bus box connected to CAN-bus in wrong place.	Refer to the manual where to connected to the CAN-bus. If not mentioned, try another place to connect to the CAN-bus.
	No power on video-interface (all LED video-interface are off).	Check whether CAN-bus box delivers +12V ACC on red wire output of 8pin to 6pin cable. If not cut wire and supply ACC +12V directly to video-interface.
No picture/black picture/white picture (inserted picture) but factory picture is OK.	No picture from video source.	Check on other monitor whether video source is OK.
	No video-source connected to the selected interface input.	Check settings dips 1 to 3 of video interface which inputs are activated and switch to corresponding input(s).
	LVDS cables plugged in wrong place.	Double-check whether order of LVDS cables is exactly connected according to manual. Plugging into head-unit does not work when the manual says to plug into monitor and vice versa.
	Wrong monitor settings of video-interface.	Try different combinations of dips 7 and 8 of video-interface. Unplug 6pin power after each change.
Inserted picture totally wrong size or position.	Wrong monitor settings of video-interface.	Try different combinations of dips 7 and 8 of video-interface. Unplug 6pin power after each change.
Inserted picture double or 4 times on monitor.		
Inserted picture distorted, flickering or running vertically.	Video sources output set to AUTO or MULTI which causes a conflict with the interfaces auto detection.	Set video source output fixed to PAL or NTSC. It is best to set all video sources to the same standard.
	If error occurs only after source switching: Connected sources are not set to the same TV standard.	Set all video sources to the same standard.
	Some interfaces can only handle NTSC input.	Check manual whether there is a limitation to NTSC mentioned. If yes, set source fixed to NTSC output.
Inserted picture qual. bad.	Picture settings have not been adjusted.	Use the 3 buttons and the interface's OSD to adjust the picture settings for the corresponding video input.
Inserted picture size slightly wrong.		
Inserted picture position wrong.		
Camera input picture flickers.	Camera is being tested under fluorescent light which shines directly into the camera.	Test camera under natural light outside the garage.
Camera input picture is bluish.	Protection sticker not removed from camera lens.	Remove protection sticker from lens.

Symptom	Reason	Possible solution
Camera input picture black.	Camera power taken directly from reverse gear lamp.	Use relay or electronics to "clean" reverse gear lamp power. Alternatively, if CAN-bus box is compatible with the vehicle, camera power can be taken from green wire of 6pin to 8pin cable.
Camera input picture has distortion.		
Camera input picture settings cannot be adjusted.	Camera input picture settings can only be adjusted in AV2 mode.	Set dip 3 of video-interface to ON (if not input AV2 is not already activated) and connect the camera to AV2. Switch to AV2 and adjust settings. Reconnect camera to camera input and deactivate AV2 if not used for other source.
Graphics of a car in camera input picture.	Function PDC is ON in the interface OSD.	In compatible vehicles, the graphics will display the factory PDC distance. If not working or not wanted, set interface OSD menu item UI-CNTRL to ALLOFF.
Chinese signs in camera input picture	Function RET or ALL is ON (function for Asian market) in the interface OSD.	Set interface OSD menu item UI-CNTRL to ALLOFF or PDCON.
Not possible to switch video sources by OEM button.	CAN-bus interface does not support this function for vehicle.	Use external keypad or cut white wire of 6pin to 8pin cable and apply +12V impulses for AV-switching.
Not possible to switch video sources by external keypad.	Pressed too short.	For video source switching a longer press of about 2.5 seconds is required.
	SW-version of interface does not support external keypad.	Use OEM-button or cut white wire of 6pin to 8pin cable and apply +12V impulses for AV-switching.
Interface does not switch to camera input when reverse gear is engaged.	CAN-bus interface does not support this function for the vehicles.	Cut the green wire of the 6pin to 8pin cable and apply +12V constant from reverse gear-lamp signal. Use relay to "clean" R-gear lamp power.
Interface switches video-sources by itself.	CAN-bus interface compatibility to vehicle is limited.	Cut the grey wire of 6pin to 8pin and isolate both ends. If problem still occurs, additionally cut the white wire of 6pin to 8pin cable and isolate both ends.

7. Technical Support

Please note that direct technical support is only available for products purchased directly from NavLinkz GmbH. For products bought from other sources, contact your vendor for technical support.

NavLinkz GmbH
distribution/tech dealer-support
 Heidberghof 2
 D-47495 Rheinberg

Tel +49 2843 17595 00
 Email mail@navlinkz.de



Made in China